

# DGM1304



HD 1080P



Motorized  
VF



PoE



DWDR



Mobile  
Surveillance

EZUM

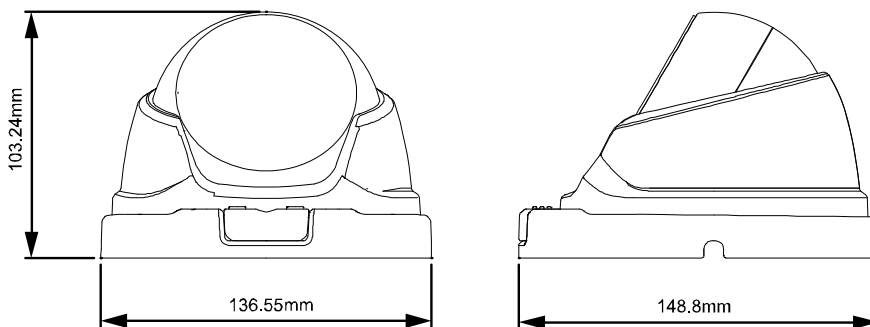


## 2MP IR Dome IP Camera

### FEATURES

- Equipped with a **motorized vari-focal lens of f2.8 ~ 8.0 mm**, focal length and focus adjustment could be made remotely
- **POE (Power-over-Ethernet)** support to eliminate the use of power cables and reduce installation costs
- **ONVIF** (**ONVIFS**) standard supported to simplify system integration
- **DWDR** to increase image recognizability in overexposure and dark areas
- **Waterproof** design on the Ethernet cable connector
- **Remote Surveillance**
  - **Fully compatible** with **iOS** and **Android** devices, and **Internet Explorer** on Windows operating system
  - Free PC program, **CMS Lite**, for 32CH devices monitoring on Windows operating system

### DIMENSIONS



Dimensional tolerance: ± 5mm

## ● SPECIFICATIONS

■ Network	
LAN Port	YES
LAN Speed	10/100 Based-T Ethernet
Supported Protocols	DDNS, PPPoE, DHCP, NTP, SNTP, TCP/IP, ICMP, SMTP, FTP, HTTP, RTP, RTSP, RTCP, IPv4, Bonjour, UPnP, DNS, UDP, IGMP, QoS, SNMP
ONVIF Compatible	YES (Profile S)
Number of Online Users	10
Security	(1) Multiple user access levels with password (2) IP address filtering (3) Digest authentication
Remote Access	(1) Internet Explorer on Windows operating system (2) CMS Lite, 32CH CMS software for Windows operating system (3) EagleEyes on iOS & Android mobile devices
■ Video	
Network Compression	H.264 (Main Profile) / MJPEG
Video Resolution	1920 x 1080 / 1280 x 720 / 720 x 480 / 352 x 240
Frame Rate	30fps
Multiple Video Streaming	2 (H.264, MJPEG)
■ General	
Image Sensor	1/2.7" CMOS image sensor
Min Illumination	0.1 Lux / F1.6 (Wide) ~ F2.8 (Tele), 0 Lux (IR LED ON)
Shutter Speed	1/2 to 1/10,000 sec
S/N Ratio	More than 48dB (AGC off)
Lens	motorized f2.8 ~ f8.0mm / F1.6 ~ F2.8
Viewing Angle	Wide: 104° (Horizontal) / 56° (Vertical) / 126° (Diagonal) Tele: 57° (Horizontal) / 32° (Vertical) / 65° (Diagonal)
IR LED	4 Units
IR Effective Distance**	Up to 50 meters
IR Shift	YES
White Balance	ATW
AGC	Auto
IRIS Mode	AES
Sharpness	YES
DWDR	YES
POE	YES (IEEE 802.3af)
Weather-proof	IP66
Operating Temperature	-25°C ~ 50°C
Operating Humidity	90 or less relative humidity
Power Source (±10%)	12V / 1A
Current Consumption (±10%)	250mA (IR OFF) / 700mA (IR ON)
Power Consumption (±10%)	PoE & PoN: 10W; DC adapter: 8.4W
Net Weight (kg)	0.75

## ● SPECIFICATIONS (CONTINUED)

■ Others	
Mobile Surveillance	iOS & Android mobile devices
Motion Detection	YES
Event Notification	FTP / Email / SMS
RTC (real-time clock)	YES
Digital Pan / Tilt / Zoom	YES
Minimum Web Browsing Requirements	<ul style="list-style-type: none"> <li>• Intel core i3 or higher, or equivalent AMD</li> <li>• 2GB RAM</li> <li>• AGP graphics card, Direct Draw, 32MB RAM</li> <li>• Windows 10, Windows 8, Windows 7, Windows Vista &amp; Windows XP, DirectX 9.0 or later</li> <li>• Internet Explorer 7.x or later (Windows Edge not supported)</li> </ul>

\*The specifications are subject to change without notice.