

# AW12™

# IN WALL APPLIANCE MODULE



**USER MANUAL 3**

**GEBRAUCHSANLEITUNG 10**

**GUIDE UTILISATEUR 17**

**MODO DE EMPLEO 23**

**MANUALE D'ISTRUZIONI 29**

**GEBRUIKSAANWIJZING 36**

20152 / 20061016 • AW12™  
IN WALL APPLIANCE MODULE

© ALL RIGHTS RESERVED MARMITEK©2006

**MARMITEK®**



# INSTALLATION INSTRUCTIONS FOR MARMITEK X-10 IN-WALL APPLIANCE MODULE AW12

## SAFETY WARNINGS

- The wiring of your electrical installation is live (230 V) and extremely dangerous. Never connect the module when plugged into the mains. Always turn off the main switch before starting the installation.
- This product is for professional use and should be installed by a certified installer.
- To prevent short circuits, this product should only be used inside and only in dry spaces. Do not expose the components to rain or moisture. Do not use the product close to a bath, swimming pool etc.
- Do not expose the components of your systems to extremely high temperatures or bright light sources.
- Do not open the product: the device contains live parts. The product should only be repaired or serviced by a qualified repairman.
- In case of improper usage or if you have opened, altered and repaired the product yourself, all guarantees expire. Marmitek does not accept responsibility in the case of improper usage of the product or when the product is used for purposes other than specified. Marmitek does not accept responsibility for additional damage other than covered by the legal product responsibility.
- Automatic switching devices provide comfort, but can also be dangerous. They can surprise people or can ignite clothing hanging over an electric heat source. Please be careful and take appropriate measures to avoid accidents.

## How does Marmitek X-10 work?

Marmitek X-10 components use the existing mains wiring to communicate (using Marmitek X-10 signals). You can build a complete system using the three different kind of components of the Marmitek X-10 System:

- 1. Modules:** These components will receive Marmitek X-10 signals and will switch or dim the attached lamp or appliance.
- 2. Controllers:** These components will transmit Marmitek X-10 signals and thus will control the Modules.
- 3. Transmitters:** Wireless components like remotes. The signals of these components will be received by a controller with transceiver functionality (IRRF 7243, TM13 or console of a Marmitek Security System). The Transceiver will translate the signals into Marmitek X-10 signals on the power line.

## Addresses.

You can select up to 256 addresses by setting two code wheels on the modules. The two code wheels are dividing the address into a House Code ( A .. P) and a Unit Code (1 .. 16). On Controllers the House Code is also selectable. When Modules and Controllers are set to the same House Code they will work together.

The Marmitek X-10 System contains many standardized commands whereby modules set to the same House Code will respond simultaneously (e.g. All lights on, all off).

## Signal Range.

### **Range of Marmitek X-10 signals over the Power Line and how to increase the range.**

The Marmitek X-10 System is based on power line communication. The range of the Marmitek X-10 signals very much depends on the local circumstances. On average the range is a cable length of 80 meters.

### **If you have difficulties with the range of your Marmitek X-10 signals, please pay attention to the following facts:**

1. When more than one phase is used for your electrical system, it is necessary to couple these phases for the Marmitek X-10 signals. For coupling you can use FD10 Phase Couplers/Filters. You only need to install a Phase Coupler/Filter when your wall outlets and light switches are divided over more than one phase (more than one group is no problem). For bigger buildings or longer distances we advice you to use an active repeater instead of passive FD10's.
2. It is possible that Marmitek X-10 signals are attenuated by devices and lights which are connected to the power line. In a normal home situation this effect is negligible (the Marmitek X-10 system is using active gain control to eliminate the effects). However, it is possible that a particular device in your house is attenuating the signals so much that the range of Marmitek X-10 signals is decreased significantly. When you have range problems, it is wise to try to locate the device which is attenuating the signals simply by unplugging devices from the power line, and testing the differences in range for your Marmitek system. When e.g. your conclusion is that e.g. your computer monitor is attenuating the signal, you can use a FM10 Plug-in Filter between the power line and the monitor to eliminate the effects.

### **Known devices which can cause attenuation are:**

- PC Monitors
- PCs with heavy internal power supplies
- Old Televisions
- Copiers
- Fluorescent Lights
- Gas Discharge Lamps (Energy Saving Lamps)

3. Some (old) devices are able to disturb the signal by transmitting noise on the power line. Because the Marmitek X-10 signals are transmitted on 120 kHz, only noise on or near this frequency will have influence on the range. When you use a FM10 Filter to connect this device to the power line, the noise will be filtered.
4. The Marmitek X-10 protocol has several mechanism to avoid modules to be switched on or off by other sources than your Marmitek X-10 Controllers. However, it is possible that the Marmitek X-10 signals are disturbed by e.g. baby phones which are in TALK mode (continuous transmission). When these kind of signals are present on the power line it is possible that the Marmitek X-10 signals will not come through.
5. The mains do not stop at the front door of your home. Everything that is attached to mains nearby your home can have influence on Marmitek X-10 signals (e.g. heavy machinery). If you think that your system is influenced by devices out of your house, it is advisable to install FD10 Phase Coupler/Filter on each phase entering the house. These filters will block signals coming into or going out of your house, but will also match the impedance for the mains. The FD10's will not only filter but will also couple the phases (please see 1).

## Introduction.

Congratulations on your purchase of the AW12

- The MicroModule can be installed behind conventional wall switches or into wall outlets because of the extreme small size of the MicroModule (Minimum built-in depth 40 mm, advised 50 mm). The MicroModule is also ideal for installation into light fixtures or for use in areas with limited space such as rooms with lowered ceilings.
- Universal compatibility: No limitation in choosing brand, color or type of any wall switches and outlets.

This module can be controlled by the switches or momentary switches connected to the module or remotely using the Marmitek X-10 (PLC) signal via the mains. The module responds to the following Marmitek X-10 PLC commands: On, Off and the optional Marmitek X-10 commands All Lights On/All Lights Off/All Units Off when these have been programmed. Both normal switches (make/break) and momentary switches can be connected to the module. The input from the switch is connected to the live (brown wire, 230 V), the output from the switch is connected to the thin black wire (input) on the AW12 module. This is illustrated in figure A. The AW12 can also be used in a 3-way switch (also known as a hotel-switch). See figure B for details.

When power is lost the module will retain the state it was in before the loss. (on/off) The AW12 uses 1-way X10 communications.

## Installation.

To install the AW12, neutral and phase are required at the installation point.

- Switch off appropriate mains fuse and master switch!
- Take the wall switch out of the wall box.
- Disconnect all wires from the switch.

- Pull an additional Neutral wire if it is missing.
- Connect the live and neutral to the terminal wires of the AW12 as described in figure A.
- Connect the wire from the In-Wall module to the switch.
- Connect the live to the switch.
- Replace the wall switch.
- Switch on mains fuse and master switch.

## Programming.

Programming the address and the optional functions All Lights On/All Lights Off/All Units Off:

The factory setting for the AW12 is to address A1 and no response to the optional functions All Lights On/All Lights Off/All Units Off.

Unlike most Marmitek X-10 Modules the AW12 does not have code wheels.

To change the address and the settings for the All Lights On/All Lights Off/All Units Off functions, the module needs to be set to the program mode.

Activating the program mode can be done in 2 ways:

1. By transmitting On / Off commands of the set address in quick succession (e.g. if the address is B2: B2 ON, B2 OFF, B2 ON, etc.)

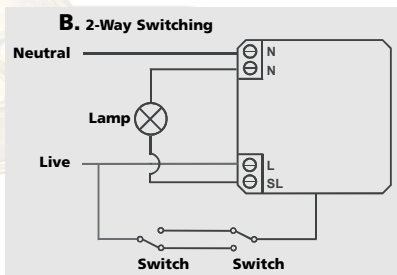
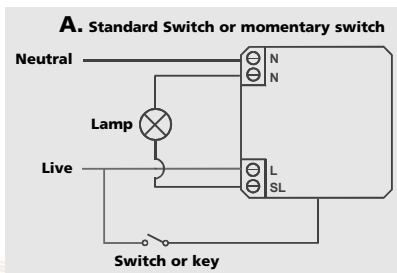
After the relay has changed state 5 times, with no more than 1.5 seconds between changes, the relay will no longer respond, which means the module is set to the program mode.

2. By quickly pressing/switching the (momentary) switch connected to the module. After the relay has changed state 5 times, with no more than 1.5 seconds between changes, the relay will no longer respond, which means the module is set to the program mode.

Once in Program Mode the new address can be set by sending an "Address" or "Address On" (e.g. B2 ON) or "Address Off" command for the new address code twice (using any Marmitek X-10 controller). If you want to change the code again, just send the revised code twice as before.

To set the unit to respond to "All Lights On" and/or "All Lights Off" and/or "All Units Off" just send these commands twice for the new address code (using any X-10 controller).

Please note: The "All Lights On/All Lights Off /All Units Off" options can be disabled by setting a new address or by returning to the Default Setting.



## Resetting the AW12.

When leaving the factory, the AW12 is set to the default address A1 and does not respond to the optional functions All Lights On/All Lights Off/All Units Off.

If the address and settings for the options "All lights on/All lights off /All Units Off" aren't known, the default address of A1 can be set by applying power to the unit and sending the address P16 to the unit twice (using any X-10 controller - i.e.: TM13 + RF remote control). This can either be just the address "P16" or "P16 On" or "P16 Off". The commands must be sent within 30 seconds of applying power to the unit.

Setting the default address automatically cancels the options "All Lights On", "All Lights Off" or "All Units Off".

## Exiting the programming mode.

**Automatic:** Wait for 1 minute. The device will then automatically exit the program mode.

**Manually:** To return to Run Mode: either send "Address On", "Address Off" or press the key quickly (no more than 1.5 seconds between key presses). After 5 key presses or "On/Off" commands, the relay will start to respond, indicating that the unit is back in Run Mode.

## Detailed information on the type of switch.

All switches must be connected to the live wire. If a momentary switch is used, the relay changes state each time the key is pressed, as long as the key press lasts for less than 1.5 seconds.

If a standard wall switch is used, it is assumed the key press will last for more than 1.5 seconds. In this case the relay changes state on both the closure and release.

This type of response will allow the unit to also perform 2-way control if 2 switches are connected in series - as would be the case with 2-way switching.

## FAQ.

### What is the reason for modules to switch on/off spontaneously?

It is possible that a Marmitek X-10 System is installed at one of your neighbours using the same House Code. To solve this problem try to change the House Code of your system, or have FD10 Phase Coupler/Filter installed at your incoming mains.

### My modules will not respond to my controller.

Make sure that the House Code on all Modules and Controllers are set to the same House Code (A .. P).

### My modules will not react to my remote / sensor.

When you use a remote or sensor, you should have at least one TM13 Transceiver or Marmitek Security Console installed in your house. These components will translate the radio signals to the Marmitek X-10 signal on the power line. Only one Transceiver should be installed for all remotes and sensors set to the same House Code.

### Am I able to increase the range of my remotes by using more Transceivers?

Yes, you can use more than one TM13 Transceiver in your home when the range of your remotes is not sufficient. The TM13 is using so called collision detection to prevent signals to

be disturbed when more than one TM13 is transmitting. TM13's will wait for a quiet power line before transmitting their data. To prevent your Marmitek X-10 System to become slow or to prevent dimming from becoming less smooth, make sure that the TM13 units are placed as far away from each other as possible.

### My AW12 doesn't work.

- Is the switch for the light or appliance you are trying to control turned on?
- Does the light or appliance work if you connect it directly to the mains?
- Is the module connected to a surge protector? A surge protector might block signals from your interface or controller.
- Is the Housecode set correctly?

**Do you still have questions? Please check out [www.marmitek.com](http://www.marmitek.com) for more information.**

### Technical Data

Supply voltage:	230V - 50 Hz
Supply current :	< 20 mA capacitive
Switching power:	3600 W/230V for resistive (ohm) load 600 W/230V for inductive/capacitive load 2000 W/230V for light bulbs and low voltage halogen lights with transformer.
Minimum load:	3W
Signal sensitivity:	15 mVpp min 50 mVpp max at 120 kHz
Input impedance:	> 180 Ohm (L - N) at 120 kHz
Connections:	Wire for a standard pressure switch or momentary switch and connecting clamps for phase, neutral and switched phase.
Ambient temperature:	- 10° C to + 40° C (operation) - 20° C to + 70° C (storage)
Dimensions:	46x46x17mm



### Environmental Information for Customers in the European Union

European Directive 2002/96/EC requires that the equipment bearing this symbol on the product and/or its packaging must not be disposed of with unsorted municipal waste. The symbol indicates that this product should be disposed of separately from regular household waste streams. It is your responsibility to dispose of this and other electric and electronic equipment via designated collection facilities appointed by the government or local authorities. Correct disposal and recycling will help prevent potential negative consequences to the environment and human health. For more detailed information about the disposal of your old equipment, please contact your local authorities, waste disposal service, or the shop where you purchased the product.



# INSTALLATIONSHINWEISE FÜR X-10 IN-WALL APPLIANCE MODULE AW12

## SICHERHEITSHINWEISE

- Auf der Verdrahtung Ihrer elektrischen Anlage steht lebensgefährliche 230V Netzspannung. Schließen Sie das Modul niemals unter Spannung an. Schalten Sie den Hauptschalter aus, bevor Sie mit der Installation beginnen.
- Dieses Produkt ist für den professionellen Gebrauch vorgesehen. Installation muss durch einen anerkannten Installateur erfolgen.
- Um Kurzschluss vorzubeugen, dieses Produkt bitte ausschließlich innerhalb des Hauses und nur in trockenen Räumen nutzen. Setzen Sie die Komponenten nicht Regen oder Feuchtigkeit aus. Nicht neben oder nahe eines Bades, Schwimmbades usw. verwenden.
- Setzen Sie die Komponente Ihres Systems nicht extrem hohen Temperaturen oder starken Lichtquellen aus.
- Das Produkt niemals öffnen: Das Gerät enthält Bestandteile mit lebensgefährlicher Stromspannung. Überlassen Sie Reparaturen oder Wartung nur Fachleuten.
- Bei einer zweckwidrigen Verwendung, selbst angebrachten Veränderungen oder selbst ausgeführten Reparaturen verfallen alle Garantiebestimmungen. Marmitek übernimmt bei einer falschen Verwendung des Produkts oder bei einer anderen Verwendung des Produktes als für den vorgesehenen Zweck keinerlei Produkthaftung. Marmitek übernimmt für Folgeschäden keine andere Haftung als die gesetzliche Produkthaftung.
- Automatisches Schalten ist nicht nur bequem, sondern kann auch Gefahr bedeuten. So können Personen überrascht werden, oder kann Kleidung, die über eine elektrische Wärmequelle hängt in Brand geraten. Passen Sie immer auf und treffen Sie Maßnahmen um dies zu verhindern.

## Wie funktioniert Marmitek X-10?

Die Komponenten aus dem Marmitek X-10 Sortiment kommunizieren mit einander über das bestehende Lichtnetz (mittels Marmitek X-10 Signalen). Das Sortiment besteht aus drei Teilen:

- 1. Module:** Diese empfangen die Marmitek X-10 Signale und schalten oder dimmen die angeschlossene Belastung.
- 2. Empfänger:** Diese senden die Marmitek X-10 Signale und steuern somit die Module.
- 3. Sender:** Dies sind drahtlose Komponenten wie z.B. Fernbedienungen. Die Signale der Sender werden von einem Empfänger mit Transceiverfunktion (IRRF 7243, TM13 oder die Zentrale eines Marmitek Alarmsystems) empfangen. Die Signale werden von dem Transceiver auf das Lichtnetz gesetzt.

## Adressierung.

Mit Hilfe von zwei Coderädchen auf den Modulen, können bis maximal 256 verschiedene

Adressen eingestellt werden. Diese unterscheiden sich in einen sog. HausCode (A bis P) und einen UnitCode (1 bis 16). Der HausCode ist auch auf den Empfängern einzustellen, so dass Empfänger und Module zum gleichen System gehören. Das Marmitek X-10 System enthält Standardbefehle, wobei alle Einheiten innerhalb des gleichen HausCode gleichzeitig gesteuert werden (z.B. alle Lampen an, alles aus, usw.).

## **Reichweite von Signalen.**

### **Reichweite von Marmitek X-10 Signalen über das Lichtnetz und diese Reichweite vergrößern.**

Das Marmitek X-10 System basiert auf der Kommunikation über das bestehende Lichtnetz. Die Reichweite von Signalen über das Lichtnetz ist sehr von der örtlichen Situation abhängig. Ein guter Durchschnitt der Reichweite ist jedoch eine Kabellänge von 80 Metern.

### **Bei Problemen mit der Reichweite von Marmitek X-10 Signalen sind folgende Faktoren wichtig:**

1. Werden mehrere Phasen im Haus verwendet, kann es notwendig sein, um diese Phasen für Marmitek X-10 Signale zu koppeln. Dieses Koppeln kann geschehen, indem Sie einen FD10 Phasenkoppler verwenden und wird benötigt, wenn Steckdosen und Lampenanschlüsse tatsächlich über mehrere Phasen verteilt sind (mehrere Gruppen sind kein Problem für die Marmitek X-10 Signale). Für größere Gebäude advisieren wir die Verwendung eines aktiven 3 Phasen Verstärkers statt eines Koppelfilters.

2. Marmitek X-10 Signale können durch Geräte und Lampen vermindert werden, die auf das Lichtnetz angeschlossen sind. In normalen Hausanlagen ist dieser Effekt normalerweise zu verwahren (das Marmitek X-10 System verwendet u.a. eine aktive Verstärker um diesen Effekt zu eliminieren). Doch kann es sein, dass ein einzelnes Gerät in Ihrer Wohnung stört. Wenn Sie feststellen, dass Signale nicht immer gut durchkommen, dann können Sie ein solches Gerät relativ einfach aufspüren, indem Sie die Stecker der verdächtigen Geräte aus der Steckdose ziehen und erneut einen Test durchführen. Stellen Sie fest, dass Ihr Problem gelöst ist, durch z.B. den Stecker Ihres PC's aus der Steckdose zu ziehen, dann können Sie das Problem lösen, durch diesen PC-Monitor mit einem FM10 Steckerfilter zu versehen. Dieser Steckerfilter sorgt dafür, dass die Signale nicht länger durch das betreffende Gerät vermindert werden.

### **Wir empfehlen um folgende Geräte zu kontrollieren:**

- PC Monitore
- PC's mit relativ hoher Leistung
- Alte TV-Geräte
- Kopiermaschinen
- Ein Raum mit vielen Neonlampen

3. Einige (alte) Geräte können Störsignale auf das Lichtnetz bringen, wodurch die Marmitek X-10 Kommunikation gestört wird. Es handelt sich dabei um Geräte, die auf einer Frequenz von 120 kHz stören. Diese 120 kHz werden vom Marmitek X-10 System als Sendefrequenz

verwendet um digitale Information über das Lichtnetz zu schicken. Geräte, die diese Art Signale senden, können mit einem FM10 Steckerfilter versehen werden. Hierdurch werden Störsignale das Lichtnetz nicht mehr erreichen.

4. Durch den Aufbau der Signale können andere (Stör)quellen die Module des Marmitek X-10 Systems niemals aktivieren oder ausschalten. Wohl kann das Signal durch z.B. Babyüberwachungsgeräte, die dauernd im 'Sprechmodus' stehen, gestört werden. Durch die Anwesenheit von diesen Signalen ist es möglich, dass das Marmitek X-10 Signal nicht durchkommt.

5. Das Lichtnetz Ihrer Wohnung endet nicht bei der Haustüre. Alles was außerhalb (in der Nähe) Ihrer Wohnung auf dem Lichtnetz angeschlossen ist, kann die Marmitek X-10 Signale beeinflussen. Vor allem wenn Ihre Wohnung an eine Fabrikhalle mit schweren Maschinen grenzt ist es nützlich, um einkommende Phasen mit einem FD10 Phasenfilter zu versehen. Diese Filter formen eine Blockade für alle Signale, die in Ihre Wohnung wollen oder diese verlassen wollen, sorgen jedoch auch für eine perfekte 'Impedanzanpassung' des Lichtnetzes Ihrer Wohnung. Sie bereiten Ihre Wohnung auf Marmitek X-10 vor, indem Sie diese Module platzieren. Hierdurch kuppeln Sie auch gleichzeitig die Phasen (siehe Punkt 1).

## Einleitung.

Herzlichen Glückwunsch mit Ihrem Ankauf des AW12.

- Durch die extrem kleinen Maße kann das Modul hinter Einbauschaltern und Steckdosen eingebaut werden (minimale Einbautiefe 40 mm, Empfehlung 50 mm). Das Modul eignet sich zudem besonders für Lichtarmaturen und Montage in niedrigen Räumen, z.B. abgesenkte Decken.
- Universell einsetzbar: völlig freie Wahl in Marke, Farbe und Modell des Schaltmaterials.

Dieses Modul kann durch an das Modul angeschlossene Schalter oder Pulsschalter bedient werden oder vom Marmitek X-10 (PLC) Signal Gebrauch machend über das Lichtnetz fernbedient werden. Das Modul reagiert auf nachfolgende Marmitek X-10 Befehle: ON, Off und die optionalen Marmitek X-10 Befehle All Lights On/All Lights Off/All Units Off, wenn diese programmiert sind. An das Modul können sowohl normale Schalter (Ein/Aus) wie auch Pulsschalter angeschlossen werden. Der Eingang des Schalters wird an die Phase angeschlossen (braunes Kabel, 230V), der Ausgang des Schalters wird mit dem dünnen, schwarzen Kabel (Eingang) des AW12 Moduls verbunden. Dies ist in Abbildung A wiedergegeben. Sie können das AW12 auch in einer Wechselschaltung (auch Hotelschaltung genannt) nutzen. Sehen Sie hierzu Abbildung B.

Bei Spannungsunterbrechung wird sich das Modul die Einstellung vor der Unterbrechung merken (Ein/Aus). Das AW12 nutzt 1-Weg X1- Kommunikation.

## Installation.

Um das AW12 zu installieren, müssen Neutral und Phase am Installationspunkt vorhanden sein

- Schalten Sie die entsprechenden Sicherungen und Hauptschalter ab
- Entnehmen Sie den Wandschalter aus der Halterung

- Entfernen Sie alle Kabel vom Schalter.
- Ziehen Sie einen zusätzlichen neutralen Draht falls notwendig.
- Verbinden Sie Phase und Neutral zu den Anschlusskabeln des AW12 wie in der Abbildung beschrieben (Abbildung A).
- Verbinden Sie das Kabel des In-Wall Moduls mit dem Schalter.
- Verbinden Sie die Phase mit dem Schalter.
- Montieren Sie den Wandschalter in der Halterung.
- Schalten Sie die Sicherungen und den Hauptschalter wieder an.

### Programmieren der Adresse und der zusätzlichen Funktionen All Lights On/All Lights Off/All Units Off.

Um die Adresse und die Einstellung der All Lights On/All Lights Off/All Units Off Funktionen zu ändern, muss das Modul in den Programmierstand gebracht werden. Das AW12 ist ab Werk auf die Adresse A1 eingestellt und reagiert nicht auf die optionalen Funktionen All Lights On/All Lights Off/All Units Off.

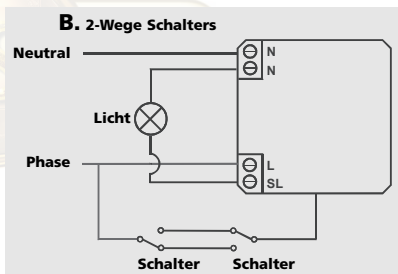
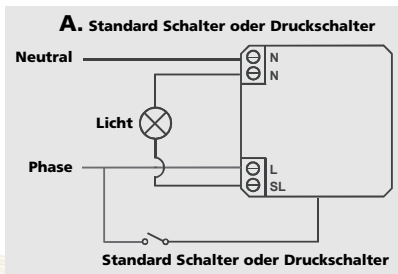
Im Gegensatz zu den meisten Marmitek X-10 Modulen hat das AW12 keine Kodierscheiben.

Aktivieren des Programmierstandes kann auf zweierlei Art:

1. Durch On / Off Befehle der eingestellten Adresse (z.B. B2: B2 ON, B2 OFF, B2 ON, usw.) schnell hintereinander zu senden. Nachdem das Relais 5 Mal den Status gewechselt hat, mit nicht mehr als 1,5 Sekunden Zeit zwischen den Wechslen, wird das Relais nicht mehr reagieren, was bedeutet, dass das Modul in den Programmierstand gebracht ist.
2. Durch schnelles Drücken/Umschalten des Druck- oder Kippschalters womit das Modul verbunden ist. Nachdem das Relais 5 Mal den Status gewechselt hat, mit nicht mehr als 1,5 Sekunden Zeit zwischen den Wechslen, wird das Relais nicht mehr reagieren was bedeutet, dass das Modul in den Programmierstand gebracht ist.

Im Programmiermodus kann die neue "Adresse" eingestellt werden. Senden Sie dazu "Address" oder "Address/On" oder "Address/Off" Befehle unter dem neuen Code zweimal (mittels eines beliebigen X-10 Kontrollers). Wenn Sie den Code wieder ändern wollen, senden Sie den geänderten Code wieder zweimal - wie zuvor.

Um die Einheit darauf einzustellen auf den "All Lights On", "All Lights Off" oder "All Units



Off" Befehl zu reagieren, senden Sie diesen Befehl zweimal unter dem neuen Code (mittels eines beliebigen X-10 Controllers).

Hinweis: Die "All Lights on/All Lights Off/All Units Off" Option kann durch das Einstellen einer neuen Adresse oder durch Zurücksetzen in die Fabrikeinstellung (Default), wie oben beschrieben, erreicht werden.

### **Das AW12 wieder in die Fabrikeinstellung zurückversetzen.**

Das AW12 ist fabriksmäßig auf die Adresse A1 eingestellt und reagiert nicht auf die Zusatzfunktionen All Lights On/ON/All Lights Off/All Units Off.

Wenn die Adresse und die "All lights on/All units off" Zusatzeinstellungen unbekannt sind, kann die A1 Einstellung hergestellt werden, indem die Einheit eingeschaltet wird und die Adresse P16 zweimal an die Einheit geschickt wird (mittels eines jeden X-10 Kontrollers z.B.- i.e.: TM13 + RF Fernbedienung!). Dies kann entweder nur die Adresse "P16" oder " P16 On" oder "P16 Off" sein. Der Befehl muss innerhalb von 30 Sekunden nachdem die Einheit eingeschaltet wurde erfolgen.

Das Einstellen der "Grundeinstellung" löscht automatisch die Option für die Befehle All Lights On, All Lights Off oder All Units Off.

### **Aufheben des Programmierstandes.**

**Automatisch:** Warten Sie eine Minute. Der Programmierstand wird dann automatisch aufgehoben.

**Von Hand:** Um in den Betriebsmodus zurückzukehren: Senden Sie entweder "Address/ On" "Address/Off" oder drücken Sie den Schalter schnell mehrmals hintereinander (nicht mehr als 1,5 Sekunden zwischen dem Drücken). Nach dem fünften Mal Drücken oder dem 5. "On/Off" Befehl, reagiert das Relais und zeigt damit an , dass es im Betriebsmodus ist.

### **Detaillierte Informationen zum Schaltcharakter.**

Alle Anschlüsse müssen auf „Live" sein. Wenn ein Pulsschalter benutzt wird, ändert sich der Status des Relais jedes Mal solange der Schalter kürzer als 1,5 Sekunden gedrückt bleibt.

Wird ein Kippschalter benutzt, so wird vorausgesetzt , dass der Schalter länger als 1,5 Sekunden gedrückt bleibt. In diesem Fall ändert sich der Relaisstatus beim Öffnen und Schließen .

Mit dieser Art von Reaktion kann die Einheit auch 2-Wege Kontrolle ausführen , wenn 2 Kippschalter in Serie geschaltet werden - wie im Falle eines 2-Wege-Schalters.

### **FAQ.**

#### **Wie kommt es, dass einige Module spontan an- oder ausgehen?**

Es kann sein, dass das installierte Marmitek X-10 System durch ein anderes X-10 System in der Nachbarschaft beeinflusst wird. Da die Marmitek X-10 Signale über das Lichtnetz geschickt werden, ist es möglich, dass die Signale ins Gebäude hineinkommen oder es verlassen. Diese Probleme können gelöst werden, indem Sie einen anderen HausCode wählen (A bis P). Auch können FD10 Phasenfilter plaziert werden, um ein- oder ausgehende Signale zu blockieren.

### **Meine Module reagieren nicht auf meinen Sender.**

Sorgen Sie dafür, dass alle verwendeten Module auf den gleichen HausCode eingestellt sind (A bis P).

### **Meine Module reagieren nicht auf Fernbedienung oder Sensor.**

Bei Verwendung von Fernbedienungen oder Sensoren müssen Sie ein TM13 Transceivermodul oder die Zentrale eine Marmitek Alarmanlage benutzen. Diese setzen die Signale der Fernbedienungen oder Sensoren in das Marmitek X-10 Lichtnetzprotokoll um. Auch bei mehreren Fernbedienungen und Sensoren wird nur ein zentraler Empfänger benötigt.

### **Kann ich die Reichweite meiner Fernbedienung durch den Einsatz von mehreren Transceivern vergrößern?**

Ja. Sie können mehrere TM13 Transceiver in Ihrer Wohnung verwenden, wenn die Reichweite Ihrer Fernbedienungen nicht ausreichend ist. Die TM13 sind mit sog. Kollisionserkennern ausgestattet, die verhindern, dass die Signale gestört werden, wenn beide TM13 Module gleichzeitig auf dem Lichtnetz senden. Um Ihr Marmitek X-10 System nicht unnötig zu verzögern und um Schwankungen beim Dimmen zu verhindern müssen Sie dafür sorgen, dass die TM13 Module so weit als möglich voneinander in der Wohnung platziert wurden.

### **Meine Module funktioniert nicht.**

- Ist der Schalter für das Licht oder Gerät, das Sie kontrollieren wollen, eingeschaltet?
- Funktioniert die Beleuchtung oder das Gerät wenn Sie es direkt anschließen ?
- Ist das Modul an einem Überspannschutz angeschlossen? Ein Überspannschutz kann Signale Ihres Interfaces oder Controllers blockieren.
- Ist der Hauscode richtig eingestellt?

**Haben Sie noch immer Fragen? Besuchen Sie [www.marmitek.com](http://www.marmitek.com).**

### **Weitere Fragen?**

Besuchen Sie [www.marmitek.com](http://www.marmitek.com) > Kundendienst für eine aktuelle Übersicht häufig gestellter Fragen über Ihr Produkt.

### **TECHNISCHE DATEN**

Netzspannung:	230V - 50 Hz
Stromverbrauch:	< 20 mA kapazitiv
Schaltvermögen:	3500 W/230V für Ohmsche Belastung 600 W/230V induktiv / kapazitiv 2000 W/230V für Glühlampen und Niedrigspannung Halogenbeleuchtung mit Transformator.
Minimale Belastung:	3W
Signalempfindlichkeit:	15 mVpp min, 50mVpp max bei 120 kHz
Input Impedanz:	> 180 Ohm (P-N) bei 120 kHz
Anschlüsse:	Kabel für normale Druck- und Pulsschalter und Anschlussklemmen für Phase, Neutral und Schaltphase.

Umgebungstemperatur: - 10° C to + 40°C (Betriebstemperatur) - 20° C to + 70° C  
(Lagerung)

Abmessungen: 46x46x17mm



**Umweltinformation für Kunden innerhalb der Europäischen Union**

Die Europäische Richtlinie 2002/96/EC verlangt, dass technische Ausrüstung, die direkt am Gerät und/oder an der Verpackung mit diesem Symbol versehen ist nicht zusammen mit unsortiertem Gemeindeabfall entsorgt werden darf. Das Symbol weist darauf hin, dass das Produkt von regulärem Haushaltsmüll getrennt entsorgt werden sollte. Es liegt in Ihrer Verantwortung, dieses Gerät und andere elektrische und elektronische Geräte über die dafür zuständigen und von der Regierung oder örtlichen Behörden dazu bestimmten Sammelstellen zu entsorgen. Ordnungsgemäßes Entsorgen und Recyceln trägt dazu bei, potentielle negative Folgen für Umwelt und die menschliche Gesundheit zu vermeiden. Wenn Sie weitere Informationen zur Entsorgung Ihrer Altgeräte benötigen, wenden Sie sich bitte an die örtlichen Behörden oder städtischen Entsorgungsdienste oder an den Händler, bei dem Sie das Produkt erworben haben.



# CONSIGNES D'INSTALLATION DU "IN-WALL APPLIANCE MODULE" AW12

## AVERTISSEMENTS DE SECURITE

- Le câblage de votre installation électrique dispose d'un voltage de 230V, danger de mort! Ne raccordez jamais le module lorsqu'il se trouve sous tension. Déconnectez le disjoncteur avant de commencer l'installation.
- Ce produit est destiné à une utilisation professionnelle. Son installation doit être effectuée par un installateur agréé.
- Afin d'éviter un court-circuit, ce produit ne doit être utilisé qu'à l'intérieur, et uniquement dans des endroits secs. Ne pas exposer les composants à la pluie ou à l'humidité. Ne pas utiliser à côté de ou près d'une baignoire, une piscine, etc.
- Ne pas exposer les composants de votre système à des températures extrêmement élevées ou à des sources de lumières trop fortes.
- Ne jamais ouvrir le produit: l'appareil contient des éléments qui sont sous tension très dangereuse. Les réparations ou l'entretien ne doivent être effectués que par des personnes compétentes.
- Toute utilisation impropre, toute modification ou réparation effectuée vous-même annule la garantie. Marmitek n'accepte aucune responsabilité dans le cas d'une utilisation impropre du produit ou d'une utilisation autre que celle pour laquelle le produit est destiné. Marmitek n'accepte aucune responsabilité pour dommage conséquent, autre que la responsabilité civile du fait des produits.
- La commutation automatique d'appareils électriques est certes pratique, mais elle peut aussi présenter des dangers. Elle peut par exemple surprendre les autres utilisateurs ou provoquer l'inflammation spontanée d'un vêtement posé sur une source de chaleur électrique. Faites-y toujours attention et prenez suffisamment de mesures de sécurité pour prévenir toute situation indésirable ou dangereuse.

## Comment fonctionne le système Marmitek X-10?

Le système Marmitek X-10 utilise le câblage électrique existant pour communiquer (en utilisant les signaux courants porteurs Marmitek X-10). Vous pouvez construire un système complet en utilisant 3 types différents de composants Marmitek X-10:

- 1. Modules:** Ces composants reçoivent les signaux Marmitek X-10 et mettent en marche, arrêtent ou font varier la charge qui leur est connectée.
- 2. Contrôleurs:** Ces composants transmettent les signaux Marmitek X-10 et de fait contrôlent les modules.
- 3. Transmetteurs:** Emetteurs radio, comme les télécommandes ou les détecteurs. Leurs signaux radio sont reçus par des contrôleurs qui les convertissent et les retransmettent en courant porteur sur les câbles électriques de la maison (IRRF 7243, TM13 ou console d'un système de sécurité Marmitek).



## Adresses.

Vous pouvez sélectionner jusqu'à 256 adresses différentes en réglant les deux sélecteurs se trouvant sur les modules. Ces sélecteurs permettent de régler le "Code Maison" (A ... P) et le "Code Unité" (1 ... 16). Sur les contrôleurs, seul le "code Maison" peut-être réglé. Les modules et les contrôleurs peuvent fonctionner ensemble à la condition que leur "Code Maison" soit identique.

Le système Marmitek X-10 possède de nombreuses commandes standards qui permettent de commander simultanément des modules réglés sur le même "Code Maison" (par ex.: All lights On, All Off).

## Porté des signaux.

### **Porté des signaux courants porteurs Marmitek X-10 sur le câblage électrique et comment en augmenter la portée.**

Le système Marmitek X-10 est basé sur la transmission par courant porteur sur le réseau électrique 230V ~ 50Hz. La portée de ces signaux dépend beaucoup des conditions locales. La moyenne néanmoins de cette portée est de 80 mètres.

### **Si vous avez des problèmes avec la portée de vos signaux Marmitek X-10, vérifiez les points suivants:**

1. Si votre installation comporte plusieurs phases, il est nécessaire de coupler ces différentes phases de façon que les signaux Marmitek X-10 soient sur toutes les phases. Pour cela vous pouvez utiliser des Coupleurs de Phase FD10. Pour le cas de grand bâtiments ou de grandes distances, nous vous recommandons d'utiliser un coupleur/répéteur actif à la place des FD10 qui ne sont eux que passifs.

2. Il est possible que les signaux Marmitek X-10 soit atténués par certains appareils électriques ou lampes qui sont connectés au secteur. Dans un environnement domestique normal, cet effet peut être négligé (les produits Marmitek X-10 utilisant un Control Automatique de Gain pour l'éliminer). Néanmoins il est possible qu'un appareil particulier dans votre maison atténue le signal Marmitek X-10 si fortement que la portée de celui-ci s'en trouve considérablement réduite. Dans ce cas, essayez de déterminer l'appareil qui vous pose problème simplement en déconnectant, un à un, du secteur les différents appareils et en testant la différence de portée. Quand votre conclusion vous amène à penser que par exemple votre moniteur PC atténue le signal courant porteur, vous pouvez installer un Module Filtre FM10 pour éliminer le problème.

### **Produits pouvant créer une atténuation.**

Moniteur de PC  
PC possédant une alimentation interne importante  
Vieilles télévisions  
Imprimantes/Fax  
Lampes Fluorescentes  
Lampes à "économie d'énergie"

3. Quelques (vieux) appareils électriques peuvent perturber le signal courant porteur en générant du bruit sur le secteur. Le signal Marmitek X-10 utilisant la fréquence de 120 kHz, seul le bruit sur ou autour de cette fréquence aura une influence sur la portée. Le cas échéant, branchez cet appareil dans un filtre FM10 de manière à éliminer ce bruit.

4. Le protocole Marmitek X-10 utilise différents mécanismes pour éviter que vos modules ne soient mis en ou hors service par des appareils autres que vos contrôleurs Marmitek X-10. Néanmoins, il est possible que les signaux courant porteurs Marmitek X-10 soient perturbés, par exemple, par des interphones ou des "Babyphones" en fonctionnement continu et transmettant eux aussi sur le secteur. Dans ce cas il est alors possible que vos modules Marmitek X-10 ne fonctionnent pas.

5. Le réseau électrique ne s'arrête pas à votre porte d'entrée. Tout ce qui est connecté au secteur dans le voisinage immédiat de votre maison peut avoir une influence sur les signaux Marmitek X-10 (par ex.: machinerie lourde). Si vous pensez que votre système est influencé par des appareils extérieurs à votre maison, il est préférable d'installer un filtre FD10 sur chacune des phases de votre maison. Ces filtres bloquent les signaux entrant et sortant de votre maison et servent également de coupleur entre les différentes phases.

## **Introduction.**

Nous vous félicitons pour l'achat de AW12

- Grâce aux dimensions extrêmement petites, le module peut être encastré derrière des interrupteurs encastrés et des socles de prise de courant murale (profondeur minimale d'encastrement 40 mm, profondeur conseillée 50 mm). Le module est également la solution idéale pour l'encastrement dans des armatures d'éclairage ainsi que pour le montage dans des espaces réduits comme par exemple des plafonds abaissés.
- Universellement applicable: liberté complète du choix de la marque, de la couleur et du modèle des matériels de commutation.

Ce module peut être contrôlé grâce à des interrupteurs normaux ou à impulsion raccordés au module, ou encore à distance, grâce au signal qu'envoie le Marmitek X-10 (PLC) via le réseau électrique. Le module répond aux commandes suivantes envoyées par le Marmitek X-10 PLC : ON, Off, ainsi que les commandes Marmitek X-10 « Toutes lumières allumées/Toutes lumières éteintes/Tous les récepteurs éteints » une fois que celles-ci sont programmées. Interrupteurs normaux (ouvert/fermé) et interrupteurs à impulsion peuvent être raccordés au module. L'entrée de l'interrupteur est raccordée à la phase (fil brun, 230V). La sortie de l'interrupteur est reliée au fil fin et noir (entrée) du module AW12. Voir le schéma A. Vous pouvez également utiliser l'AW12 dans un montage va-et-vient. Voir le schéma B. En cas de coupure de courant, le module retient la position occupée avant la coupure. (on/off) L'AW12 utilise la communication unidirectionnelle X10.

## **Installation.**

Pour installer l'AW12, le neutre et la phase sont nécessaires au point d'installation

- Coupez le disjoncteur ainsi que l'interrupteur concernés !
- Retirez l'interrupteur mural de son boîtier
- Déconnectez tous les câbles de l'interrupteur
- Rajoutez un câble pour le Neutre si celui-ci manque
- Connectez la Phase et le Neutre aux câbles terminaux de l'AW12 tels que représentés dans le schéma A
- Connectez le câble du module "In-Wall" à l'interrupteur.
- Connectez la phase à l'interrupteur
- Remplacez l'interrupteur mural dans son boîtier mural
- Rebranchez le disjoncteur et l'interrupteur

### Programmer l'adresse et l'option "Toutes lumières allumées/Tous modules éteints/toutes lumières éteintes".

Pour changer d'adresse et programmer la fonction "Toutes lumières allumées/Toutes lumières éteintes /Tous modules éteints", le module doit d'abord être placé en mode Programmation.

Le AW12 est programmé par défaut sur l'adresse A1 et ne réagit pas aux fonctions optionnelles « Toutes lumières allumées/Toutes lumières éteintes/Tous les récepteurs éteints ».

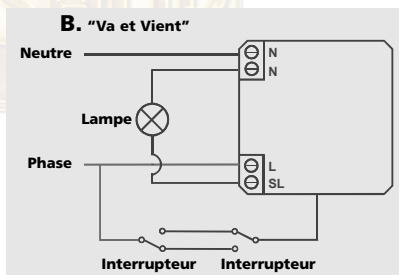
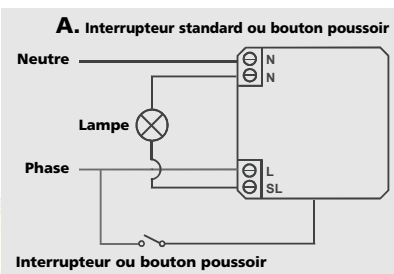
Contrairement à la plupart des modules Marmitek X-10, l'AW12 ne possède pas de sélecteur pour choisir l'adresse.

L'activation du mode programmation peut-être faites de deux manières différentes :

1. En envoyant "Adresse/On" et "Adresse/Off" du module concerné en une succession rapide (moins de 1,75 secondes entre chaque message). Par exemple si l'adresse est B2: envoyez B2 ON, B2 OFF, B2 ON, etc. Après que le relais ait changé d'état 5 fois, le module entrera en mode programmation et le relais cessera de basculer pour indiquer cet état.
2. En appuyant rapidement plusieurs fois sur l'interrupteur relié au module (moins de 1,75 s entre chaque pression). Après que le relais ait changé d'état 5 fois, le module entrera en mode programmation et le relais cessera de basculer pour indiquer cet état.

Une fois en mode Programmation, programmez la nouvelle adresse en envoyant celle-ci 2 fois de suite à l'aide d'un contrôleur X-10 (par exemple: TM13 + télécommande): "adresse" ou un message "Adresse/On" ou "Adresse/Off". Si vous souhaitez changer l'adresse de nouveau, renvoyez la nouvelle adresse 2 fois comme précédemment.

Pour programmer le module de telle sorte qu'il réponde aux commandes "Toutes lumières



allumées/Toutes lumières éteintes/Tous modules éteints ", envoyez simplement ces messages 2 fois en utilisant le nouveau code maison (au moyen d'un contrôleur X-10).

N.B.: L'option "Toutes lumières allumées/Toutes lumières éteintes/Tous modules éteints " s'annulera lors de la programmation d'une nouvelle adresse ou au retour à la programmation par défaut - comme mentionné ci-dessous.

### **Réinitialisation de l'AW12.**

En sortie d'usine, l'AW12 est réglé sur l'adresse A1 et ne répond pas aux messages optionnels l'option "Toutes lumières allumées/Toutes lumières éteintes/Tous modules éteints" (All Lights On/All Lights Off/All Units Off).

Si la programmation de l'adresse et de l'option "Toutes lumières allumées/Toutes lumières éteintes/Tous modules éteints" ne sont pas connues, l'adresse par défaut A1 peut être programmée en mettant le module sous tension et en envoyant 2 fois l'adresse P16 au module (utilisez n'importe quel contrôleur X-10 - par ex.: TM13 + télécommande RF). Ceci peut être simplement l'adresse P16 seule ou ' P16 On' ou ' P16 Off '. Les messages doivent être envoyés dans un intervalle de 30 secondes après la mise sous tension du module. Programmer l'adresse par défaut annule automatiquement les options de réponse aux commandes "Toutes lumières allumées/Toutes lumières éteintes/Tous modules éteints".

### **Sortie du mode programmation.**

**Automatique:** attendez 1 minute sans rien faire, le module sortira automatiquement du mode programmation.

**Manuelle:** Pour retourner au mode de fonctionnement normal : envoyez la commande "Adresse/On", "Adresse/Off" ou appuyez sur l'interrupteur (pas plus de 1,75 secondes entre chaque pression). Après 5 pressions ou message 'On/Off', le relais recommencera à répondre, indiquant que le module est à nouveau en mode 'fonctionnement normal'.

### **Information sur le type d'interrupteur:**

L'interrupteur doit être relié à la phase.

Si un poussoir est utilisé, le relais change d'état à chaque fois que l'interrupteur est enfoncé dès lors que la pression dure moins de 1,5 seconde.

Si un interrupteur mural 2 positions est utilisé, la fermeture ou l'ouverture du contact doit durer plus de 1,5 seconde, dans ce cas, le relais s'ouvre ou se ferme. Ce type de réponse permettra au module de réaliser également une commande à double sens (va et vient) si 2 interrupteurs 'va et vient' sont reliés en série.

### **FAQ.**

#### **Pourquoi certains modules s'allument ou s'éteignent spontanément?**

Il est possible qu'un système Marmitek X-10 identique soit installé chez un de vos voisins et utilise le même "Code Maison". Pour résoudre ce problème, essayez de changer le "Code Maison" ou installez un filtre FD10sur l'entrée secteur.

#### **Mes modules ne fonctionnent pas avec mes contrôleurs.**

Vérifiez que les modules et les contrôleurs possèdent le même "Code Maison" (A ... P).

### Mes modules ne fonctionnent pas avec mes télécommandes / détecteurs.

Quand vous utilisez une télécommande ou un détecteur, vous devez avoir au moins un TM13 ou console de sécurité Marmitek installé dans votre maison. Ces équipements transforment les signaux radio en signaux courants porteurs Marmitek X-10 sur le secteur. Seul un "Transceiver" doit être installé pour tous les modules et télécommandes ayant le même "code maison".

### Puis je accroître la portée de mes télécommandes en utilisant plusieurs "Transceivers"?

Oui, vous pouvez utiliser plus d'un TM13 dans votre maison quand la portée de vos télécommandes est insuffisante. Le TM13 utilise ce que l'on appelle "la détection de collision" pour empêcher que le signal soit perturbé quand plusieurs TM13 transmettent en même temps. Le TM13 attend que le réseau soit libre avant de transmettre ses données. Pour éviter que votre système Marmitek X-10 ne devienne lent ou que la variation de lumière ne devienne trop saccadée placez vos TM13 aussi éloigné l'un de l'autre que possible.

### Problèmes de fonctionnement.

- L'interrupteur de la lampe ou de l'appareil électrique auquel est relié le module est-il bien en position ON ?
- La lampe ou l'appareil fonctionnent-ils correctement si vous les branchez directement au secteur ?
- Le module est-il branché dans un équipement de protection contre les surtensions? Un tel équipement pourrait arrêter les signaux émis par votre interface ou votre contrôleur.
- Le code maison programmé est-il correct ?

**Vous avez d'autres questions? Allez sur le site [www.marmitek.com](http://www.marmitek.com).**

### DONNÉES TECHNIQUE

Tension d'alimentation :	230V - 50 Hz
Courant consommé :	< 20 mA capacitif
Puissance de commutation :	3600 W/230V pour charge ohmique 600 W/230V pour charge inductive / capacitive 2000 W/230V pour éclairage à incandescence et halogène à basse tension avec transformateur
Charge minimale :	3W
Sensibilité du signal :	15 mVpp min, 50mVpp max à 120 kHz
Impédance en entrée :	> 180 Ohm (P-N) à 120 kHz
Raccordements :	Fil pour interrupteur à poussoir normal ou à impulsion et bornes de raccordement pour Phase, Neutre et Phase commutée.
Température ambiante :	- 10° C à + 40°C (fonctionnement) - 20° C à + 70° C (stockage)
Dimensions :	46x46x17mm



### Informations environnementales pour les clients de l'Union européenne

La directive européenne 2002/96/CE exige que l'équipement sur lequel est apposé ce symbole sur le produit et/ou son emballage ne soit pas jeté avec les autres ordures ménagères. Ce symbole indique que le produit doit être éliminé dans un circuit distinct de celui pour les déchets des ménages. Il est de votre responsabilité de jeter ce matériel ainsi que tout autre matériel électrique ou électronique par les moyens de collecte indiqués par le gouvernement et les pouvoirs publics des collectivités territoriales. L'élimination et le recyclage en bonne et due forme ont pour but de lutter contre l'impact néfaste potentiel de ce type de produits sur l'environnement et la santé publique. Pour plus d'informations sur le mode d'élimination de votre ancien équipement, veuillez prendre contact avec les pouvoirs publics locaux, le service de traitement des déchets, ou l'endroit où vous avez acheté le produit.



# INSTALACIÓN Y MODO DE EMPLEO DEL MARMITEK X-10 MÓDULO EMPOTRADO AW12

## AVISOS DE SEGURIDAD

- El cableado de su instalación eléctrica tiene una tensión de red de 230V que puede resultar mortal. Jamás conecte el módulo con la tensión conectada. Desconecte el interruptor principal antes de comenzar con la instalación.
- Este producto ha sido diseñado para un uso profesional. La instalación deberá realizarse por parte de un instalador cualificado.
- Para evitar un cortocircuito, este producto solamente se usa en casa y en habitaciones secas. No exponga los componentes del sistema a la lluvia o a la humedad. No se use cerca de una bañera, una piscina, etc.
- No exponga los componentes del sistema a temperaturas extremadamente altas o a focos de luz fuertes.
- Nunca abra el producto: el equipo contiene piezas con un voltaje mortal. Deja las reparaciones o servicios a personal experto.
- En caso de uso indebido o modificaciones y reparaciones montados por su mismo, la garantía se caducará. En caso de uso indebido o impropio, Marmitek no asume ninguna responsabilidad para el producto. Marmitek no asume ninguna responsabilidad para daños que resultan del uso impropio, excepto según la responsabilidad para el producto que es determinada por la ley.
- Los conmutadores automáticos son cómodos, pero pueden también provocar situaciones peligrosas. Personas pueden ser sorprendidas, no teniendo en cuenta que alguna fuente de calor esté encendida. También ropas que estén colgadas cerca de una fuente de calor eléctrica se pueden prender. No ha de olvidar estos peligros y que ha de tomar medidas para evitarlos.

## ¿Cómo funciona el X-10 de Marmitek?

Los distintos componentes del programa X-10 de Marmitek se comunican con ayuda de la red de alumbrado ya existente (por medio de señales X-10 de Marmitek). El programa contiene tres tipos de piezas:

- 1. Módulos:** Los módulos reciben las señales X-10 de Marmitek y conectan o amortiguan la carga conectada.
- 2. Controladores:** Los controladores emiten las señales X-10 de Marmitek y manejan los módulos.
- 3. Transmisores:** Los transmisores son piezas inalámbricas como por ejemplo los mandos a distancia. Un controlador con función de tranceptor recibe las

señales de los transmisores (IRRF 7243, TM13 o central de un sistema de seguridad de Marmitek). El transceptor ejecuta las señales en la red de alumbrado.

## **Consignación de dirección.**

Con ayuda de las dos ruedas de código en los módulos, se puede ajustar hasta 256 distintas direcciones. Estas son subdivididas en los llamados códigos de casa (A a P) y en un código de unidad (1 a 16). El código de casa puede ajustarse a los controladores, así que los controladores y los módulos pertenecen al mismo sistema. El sistema X-10 de Marmitek dispone de mandos estándares con los que todas las unidades dentro del mismo código de casa son enviadas al mismo tiempo (p.e. todas las luces encendidas, apagadas, etc.).

## **Alcance de las señales.**

### **Alcance de las señales X-10 de Marmitek por la red de alumbrado y ampliación del alcance.**

El sistema X-10 de Marmitek está basado en la comunicación a través de la red de alumbrado ya existente. El alcance de las señales a través de la red de alumbrado depende de la situación local. Un promedio aceptable del alcance es una longitud de cable de 80 metros.

### **En caso de problemas con el alcance de las señales X-10 de Marmitek, tenga en cuenta los siguientes factores de importancia:**

1. Si se usan varias fases en casa, posiblemente sea necesario conectar estas fases con las señales X-10 de Marmitek. Si los enchufes de pared y los puntos de iluminación son efectivamente divididos entre varias fases, tiene que conectarlos con ayuda de un filtro/acoplador de fase FD10 (varios grupos no suponen ningún problema para las señales X-10 de Marmitek). Para casas más grandes aconsejamos usar un activo acoplador de fases repetidor en lugar de filtros/acopladores de fase.

2. Las señales X-10 de Marmitek pueden amortiguarse con el equipo e iluminación conectados con la red de alumbrado. En caso de instalaciones regulares este efecto normalmente es insignificante (el sistema X-10 de Marmitek entre otras cosas usa refuerzos activos para eliminar este efecto). No obstante es posible que algún aparato en su casa cause interferencias. Si nota que las señales no siempre se transmiten fácilmente, puede localizar el aparato perturbador, desconectándolo el equipo en cuestión y enchufándolo de nuevo. Si se da cuenta de que el problema tiene que ver con p.e. la pantalla de su ordenador, puede simplemente proveer la pantalla de un filtro FM 10 Plug-In. Este filtro FM 10 impide la amortiguación de las señales del aparato.

### **Aparatos a controlar:**

Pantallas de ordenadores

Ordenadores con suministro relativamente grande

Televisores antiguos

Fotocopiadoras

La Iluminación fluorescente también puede causar interferencias

Bombillas de descarga de gas con encendido electrónico



3. Algunos aparatos (antiguos) pueden emitir señales interferentes, que interrumpen la comunicación X-10 de Marmitek. Se trata de aparatos que causan interferencias en una frecuencia de 120 kHz. La misma frecuencia que usa el sistema X-10 de Marmitek para transmitir información digital a través de la red de alumbrado. Para evitar dichas interferencias, puede simplemente proveer los aparatos que transmiten estas señales con un filtro FM 10 Plug-In. El filtro impide que las señales interferentes alcancen la red de alumbrado.

4. La construcción de la señal garantiza que otras fuentes (interferentes) no puedan activar o desactivar los módulos del sistema X-10 de Marmitek. Pero la señal puede amortiguarse p.e. por teléfonos que continuamente se encuentran en estado 'TALK'. La presencia de esta forma de señales puede interrumpir el alcance de la señal X-10 de Marmitek.

5. La red de alumbrado de su casa no finaliza en la puerta de entrada. Todo lo conectado con la red de alumbrado en la cercanía de su casa, puede influir las señales X-10 de Marmitek. Especialmente si en las cercanías de su casa se encuentran fábricas que requieren grandes maquinarias, le aconsejamos proveer las fases entrantes con filtros/acopladores de fase FD10. Estos filtros establecen un bloqueo para todas las señales que entren o dejen su casa, pero causan también una perfecta "adaptación de impedancia" de la red de alumbrado en su casa. Usando estas unidades, hará su casa apta para el X-10 de Marmitek. Además conectan las fases (vea punto 1).

### **Introducción.**

Se puede manejar este módulo utilizando conmutadores o interruptores de impulsos que se conectan con el módulo, o utilizando la señal X-10 (PLC) de Marmitek que se transmite a través de la red de alumbrado. El módulo reacciona a los siguientes comandos X-10 PLC de Marmitek: ON, Off y a los comandos opcionales del Marmitek X-10: All Lights On/All Lights Off/All Units Off si estos se han programado. Al módulo se le pueden conectar tanto conmutadores normales, como interruptores de impulsos. La entrada del interruptor se conecta con la fase (cable marrón, 230V), la salida del interruptor se conecta con el cable fino y negro (entrada) del módulo AW12. Vea la ilustración A. El AW12 también puede utilizarse en combinación con un conmutador de corriente alterna. Vea la ilustración B. En caso de corte de electricidad, el módulo guarda el enfoque. El AW12 utiliza la comunicación X-10 de sentido único.

### **Instalación.**

Para poder conectar el AW12 necesita un cable (azul) + un cable de fase 230V (marrón) en el lugar donde quiere conectar el módulo.

- ¡Atención! Corte la electricidad antes de empezar con el montaje.
- Quite el interruptor de la caja para empotrar.
- Suelte los cables del interruptor.
- Tire un cable cero si no está incluido.

- Fije los cables de fase, cero y el alternador en los puntos de conexión del módulo empotrado AW12, como viene mostrado en la ilustración A.
- Fije el fino cable negro de módulo al interruptor.
- Fije el cable de fase al interruptor.
- Coloque el módulo hacia la parte trasera de la caja para empotrar y ponga el interruptor en la caja para empotrar.
- Encienda la electricidad antes de programar.

## Programación de la dirección y las funciones opcionales.

Para cambiar la dirección y la programación de las funciones All Lights On/All Lights Off/All Units Off, ha de ajustar el módulo en el modo de programación.

El AW12 está ajustado por defecto a la dirección A1 y no reacciona a las funciones opcionales All Lights On/All Lights Off/All Units Off.

Al contrario que la mayoría de los módulos X-10 de Marmitek, el AW12 no dispone de ruedas de códigos.

Hay dos opciones para activar el modo de programación:

1. Para enviar rápidamente los comandos On / Off en fila de la dirección ajustada (p.e. b.v. dirección ajustada B2: B2 ON, B2 OFF, B2 ON, etc.) Después de que el AW12 haya cambiado de estado 5 veces con no más que

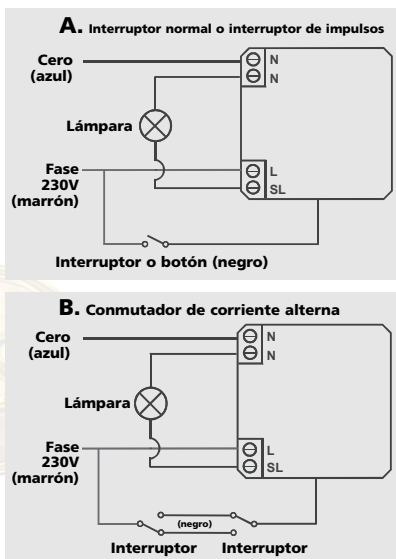
1,5 segundos entre los cambios, ya no reacciona, lo cual significa que se encuentra en el modo de programación.

2. Si pulsa rápidamente el interruptor de impulsos, el módulo se conectará. Después de que el AW12 haya cambiado de estado 5 veces con no más que 2 segundos entre los cambios, ya no reacciona, lo cual significa que se encuentra en el modo de programación.

La nueva dirección se fijará en el modo de programación, enviando dos veces un comando dirección ON (por ejemplo B2 ON) o dirección OFF. Para esto utilice un controlador X-10 de Marmitek (p.e. un mando a distancia de Marmitek, combinado con un transceptor TM13). Si quiere cambiar la dirección de nuevo, simplemente envíe el comando deseado dos veces.

Para programar el módulo en las funciones All Lights On en/of All Lights Off en/of All Units Off, ha de enviar el comando en cuestión dos veces, directamente tras la programación de la nueva dirección.

OBSERVACIÓN: La programación de las funciones All Lights On/All Lights Off/All Units Off se



caducará en el momento que se conceda una nueva dirección al módulo, o cuando se restablezca el ajuste de fábrica en el módulo.

### **Restablecimiento del AW12 al ajuste de fábrica.**

El AW12 se ajusta por defecto de fábrica a la dirección A1 y no reacciona a las funciones opcionales All Lights On/All Lights Off/All Units Off. Si la dirección y el ajuste de las funciones All Lights On/All Lights Off/All Units Off se desconocen, puede restablecer el módulo AW12 al ajuste de fábrica, suministrándole electricidad y enviando dos veces la dirección P16 al módulo. Únicamente puede enviar la dirección P16, o bien la dirección combinada con un comando, como por ejemplo P16 On o P16 Off. Los comandos deben enviarse durante los 30 segundos siguientes de suministrar el módulo de electricidad. Si el módulo se encuentra en el ajuste de fábrica, el ajuste de las funciones opcionales All Lights On/All Lights Off/All Units Off se caducará automáticamente.

### **Cancelación del modo de programación.**

**Automáticamente:** Espere 1 minuto. El modo de programación se cancelará automáticamente.

**Manualmente:** El modo de programación puede cancelarse enviando rápidamente y en fila los comandos dirección ON, dirección OFF (o bien.../ o ...y... dependiendo de si hay dos formas de hacerlo o si se tienen que hacer las dos cosas para llevarlo a cabo) pulsando rápidamente el interruptor de???( simplemente el interruptor o el interruptor de que?). Después de pulsar el interruptor 5 veces, o haber enviado los comandos ON/OFF 5 veces con no más que 0.5 segundos entre las pulsaciones, el AW12 reaccionará, lo que significa que el modo de programación se ha cancelado.

### **Información detallada del carácter de Detailinformatie.**

Si utiliza el interruptor de impulsos conectado y pulsa el botón en menos de 2 segundos, el estado del AW12 cambiará. Si el interruptor de impulsos se presiona durante más de 2 segundos, el AW12 amortiguará (se amortiguará.... o ...amortiguará el que?...). La intensidad de luz del módulo desciende completamente, a continuación de un aumento máximo de dicha intensidad.

### **FAQ.**

#### **¿Porqué se encienden o apagan algunos módulos espontáneamente?**

Es posible que al sistema X-10 de Marmitek le influya otro sistema X-10 en la cercanía. Porque las señales X-10 de Marmitek funcionan a través de la red de alumbrado, puede ser que señales entren o dejen la casa. Podrá solventar este problema seleccionando otro código de casa (A .. P). Otra posible solución es la instalación de filtros/acopladores de fase FD10 para bloquear las señales.

#### **Los módulos no reaccionan al controlador.**

Asegúrese de que todos los componentes están ajustados en el mismo código de casa (código de letras A.....P).

## Los módulos no reaccionan al mando a distancia o al sensor.

Si utiliza un mando a distancia o un sensor, hay que usar el módulo de transceptor TM13 o un central de un sistema de alarma de Marmitek. Éstos convierten las señales del mando a distancia o del sensor al protocolo de la red de alumbrado X-10 de Marmitek. Aunque use varios mandos a distancia, solamente necesitará un receptor central.

## ¿Puedo ampliar el alcance del mando a distancia para la utilización de varios transceptores?

Sí. Si el alcance de su mando a distancia no es suficiente, puede usar varios transceptores TM 13. Los TM13 disponen de la llamada "collision detection" para impedir una transferencia de las señales en caso de que las dos unidades TM13 transmitan señales a la red de alumbrado al mismo tiempo. Para impedir que el sistema X-10 de Marmitek se ralentice y funcione desigualmente, hay que colocar las unidades TM13 en una distancia más grande.

## Solución de problemas.

- ¿La lámpara funciona cuando se encuentra conectada directamente a la electricidad?
- ¿El módulo se conecta con una protección contra las subidas de tensión? Dicha protección puede afectar las señales del interfaz X-10 o del controlador X-10.
- ¿Está el código de casa ajustado al mismo código de letras como el resto del sistema X-10?

Para otras preguntas, consulte [www.marmitek.com](http://www.marmitek.com).

## ESPECIFICACIONES TÉCNICAS

Tensión de suministro: 230V - 50 Hz

Electricidad consumida: < 20 mA capacitiva

Capacidad de conexión: 3500 W/230V para carga óhmica

600 W/230V para carga inductiva/capacitiva

2000 W/230V para lámparas incandescentes e iluminación halógena de baja tensión con transformador.

Carga mínima: 3W

Sensibilidad de la señal: min. 15 mVpp, max. 50mVpp a 120 kHz

Input impedancia: > 180 Ohm (P-N) a 120 kHz

Conexiones: Cable para interruptor normal o para interruptor de impulsos y abrazadoras para fase, neutro y fase conmutada.

Temperatura ambiental: - 10° C a + 40° C (en marcha) - 20° C to + 70° C (almacenamiento)

Dimensiones: 46x46x17mm



### Información medioambiental para clientes de la Unión Europea

La Directiva 2002/96/CE de la UE exige que los equipos que lleven este símbolo en el propio aparato y/o en su embalaje no deben eliminarse junto con otros residuos urbanos no seleccionados. El símbolo indica que el producto en cuestión debe separarse de los residuos domésticos convencionales con vistas a su eliminación. Es responsabilidad suya desechar este y cualesquiera otros aparatos eléctricos y electrónicos a través de los puntos de recogida que ponen a su disposición el gobierno y las autoridades locales. Al

desechar y reciclar correctamente estos aparatos estará contribuyendo a evitar posibles consecuencias negativas para el medio ambiente y la salud de las personas. Si desea obtener información más detallada sobre la eliminación segura de su aparato usado, consulte a las autoridades locales, al servicio de recogida y eliminación de residuos de su zona o pregunte en la tienda donde adquirió el producto.

# MANUALE D'INSTALLAZIONE PER IL MICROMODULO CON AW12 MARMITEK X-10

## PRECAUZIONI DI SICUREZZA

- Sui cavi dell'impianto elettrico passa una corrente di tensione pari a 230V. Non collegare mai il modulo in presenza di tensione sulla rete. Prima di avviare l'installazione, spegnere l'interruttore principale.
- Questo prodotto è destinato all'utilizzo professionale. L'installazione va eseguita da un tecnico abilitato.
- Per evitare il pericolo di cortocircuito utilizzare questo prodotto esclusivamente al coperto e in luoghi asciutti. Non esporre i componenti di questo prodotto a pioggia o umidità. Non utilizzare vicino alla vasca da bagno, piscina, ecc.
- Non esporre i componenti del sistema a temperature eccessivamente alte o a fonti intense di luce.
- Non aprire mai il prodotto: nell'apparecchio ci sono parti che potrebbero provocare pericolose scosse elettriche. Lasciare fare riparazioni o modifiche esclusivamente a personale esperto.
- In caso di utilizzo scorretto, di riparazioni o modifiche apportate personalmente decade qualsiasi garanzia. Marmitek declina ogni responsabilità per i danni derivanti da un utilizzo non appropriato del prodotto o da utilizzo diverso da quello per cui il prodotto è stato creato. Marmitek declina ogni responsabilità per danni consequenziali ad eccezione della responsabilità civile sui prodotti.
- Un sistema automatizzato, oltre ad essere una fonte di comodità, può rappresentare anche una fonte di pericolo. Infatti, altre persone possono rimanere sorprese, o abiti posti sopra una fonte di calore elettrica possono prendere fuoco. Non farsi cogliere alla sprovvista e prendere misure adeguate per prevenire ogni possibile pericolo.

## Come funziona Marmitek X-10?

I componenti del programma Marmitek X-10 comunicano tra loro attraverso la rete d'illuminazione esistente (tramite segnali Marmitek X-10). Il programma è costituito da tre tipi di componenti:

- 1. Moduli:** elementi che ricevono i segnali Marmitek X-10 e commutano o smorzano il carico collegato.
- 2. Controller:** elementi che inviano i segnali Marmitek X-10 e controllano i Moduli.
- 3. Sender:** componenti senza fili, per esempio telecomandi. I segnali di questi sono ricevuti da un controller con la funzione di Transceiver (IRRF 7243, TM13 o la Centralina di un Sistema di Protezione Marmitek). I segnali sono inviati sulla rete d'illuminazione dal Transceiver.

## **Impostazione degli indirizzi.**

Con l'ausilio di due rotelline per la selezione del codice, situate sui moduli, si possono impostare fino ad un massimo di 256 diversi indirizzi. Questi sono suddivisi nella cosiddetta categoria Codice Domestico (da A a P) e UnitCode (da 1 a 16). Il Codice Domestico è anche impostabile sui Controller: in questo modo, i Controller e i Moduli apparterranno allo stesso sistema.

Il Sistema Marmitek X-10 contiene dei comandi standard, con cui tutte le unità ricevono comandi contemporaneamente, nell'ambito dello stesso Codice Domestico (per es., tutte le luci accese, tutto spento, ecc.).

## **Portata dei segnali.**

### **Portata dei segnali Marmitek X-10 lungo la rete d'illuminazione e suo incremento.**

Il Sistema Marmitek X-10 si basa sulla comunicazione attraverso la rete d'illuminazione esistente. La portata dei segnali lungo la rete è fortemente dipendente dalla situazione locale. Un valore medio e auspicabile di portata si ottiene in realtà con una lunghezza di cavo di 80 metri.

### **In caso di problemi di portata dei segnali Marmitek X-10, rivestono importanza i seguenti fattori:**

1. Qualora si utilizzino in casa più fasi, può essere indispensabile accoppiarle, per la qualità dei segnali Marmitek X-10. L'accoppiamento può essere realizzato con l'ausilio di Filtri Accoppiatori di Fase FD10 ed è necessario nel caso in cui le prese a muro e i punti d'illuminazione siano effettivamente divisi in più fasi (la presenza di più gruppi non costituisce alcun problema per il segnale Marmitek X-10). Per edifici di maggiori dimensioni, si consiglia l'impiego di un ripetitore attivo a 3 fasi, al posto di Filtri Accoppiatori di Fase.

2. I segnali Marmitek X-10 possono essere smorzati da apparecchiature e da sistemi d'illuminazione collegati alla rete d'illuminazione. In normali impianti domestici, quest'effetto è generalmente d'entità trascurabile (il Sistema Marmitek X-10 fa uso, tra l'altro, di un sistema attivo di rinforzo, atto ad eliminare quest'effetto). Si può verificare, tuttavia, che un apparecchio di casa interferisca con i segnali. Qualora si avvertano occasionali problemi nella corretta trasmissione dei segnali, è possibile individuare l'apparecchio responsabile del disturbo in modo relativamente semplice, vale a dire staccando le spine dell'apparecchio che si sospetta responsabile dalla presa di corrente e testando di nuovo il sistema. Nel caso in cui, staccando, per esempio, la spina del monitor del proprio PC, scompaia il problema di portata insufficiente, si potrà risolvere il problema attaccando al monitor del PC un Filtro Plug-in FM10. Questo Filtro Plug-in impedisce all'apparecchio in questione di continuare a smorzare i segnali.

### **Le apparecchiature che, a tal riguardo, vale la pena controllare:**

Monitor di PC

PC provvisti d'alimentazione relativamente pesante

Vecchi televisori

Fotocopiatrici

Anche un ambiente della casa con estesa illuminazione al neon può causare disturbo.  
Lampade a scarica con apparecchio elettronico d'accensione preliminare

3. Alcuni (vecchi) apparecchi sono in grado di inviare segnali di disturbo sulla rete, dai quali si origina un disturbo di comunicazione del sistema Marmitek X-10. Si tratta d'apparecchiature che causano disturbi su una frequenza di 120 kHz. Questa frequenza di 120 kHz è utilizzata dal Sistema Marmitek X-10 come frequenza di trasmissione, per l'invio di informazioni digitali lungo la rete d'illuminazione. Gli apparecchi che inviano questo tipo di segnali possono essere provvisti di un Filtro Plug-in FM10. Grazie a questo filtro, i segnali di disturbo non potranno più raggiungere la rete.

4. Per via dell'assetto del segnale, altre fonti (di disturbo) non sono mai in grado di attivare o disattivare i moduli del Sistema Marmitek X-10. Il segnale può tuttavia essere smorzato da altri elementi, per esempio babyphon che devono essere sempre commutati su 'TALK'. La presenza di questo tipo di segnali può impedire il passaggio indisturbato del segnale Marmitek X-10.

5. La rete d'illuminazione di un'abitazione non termina alla porta d'ingresso. Tutto ciò che è collegato, all'esterno (e nelle adiacenze) della propria abitazione, all'impianto d'illuminazione interno può esercitare un influsso sui segnali Marmitek X-10. Soprattutto nel caso di abitazioni confinanti, per esempio, con il salone di uno stabilimento che ospita macchinari pesanti, è utile aggiungere alle fasi in ingresso dei Filtri Accoppianti di Fase FD10. Questi filtri realizzano quello che si può definire un blocco di tutti i segnali indirizzati all'interno o all'esterno dell'abitazione, pur facendo in modo che si realizzi un perfetto 'adattamento d'impedenza' della rete d'illuminazione dell'abitazione. Collocando queste unità, si adegua la propria abitazione alle esigenze di un Sistema Marmitek X-10. Le unità collocate accoppiano anche le fasi (si rimanda al punto 1 precedente).

## **Introduzione.**

Il modulo può essere attivato tramite interruttori o pulsanti a contatto momentaneo collegati ad esso o da segnali Marmitek X-10 (PLC) tramite la rete elettrica. Il modulo viene attivato dai seguenti comandi Marmitek X-10 PLC: ON (acceso), OFF (spento) e ai comandi Marmitek X-10 opzionali All lights On (Tutte le luci accese)/ All Lights Off (Tutte le luci spente)/ All Units Off (Tutte le unità disattivate) nel caso che siano stati programmati. A questo modulo si possono collegare sia interruttori normali (attiva/disattiva) che interruttori a contatto momentaneo. L'ingresso dell'interruttore è collegato alla fase (filo marrone, 230V), l'uscita dello stesso va collegata al filo sottile e nero (d'ingresso) del Micromodulo AW12. Si veda la figura A. Si può altresì applicare l'AW12 in una commutazione a due vie. Per questo si veda la figura B. Se la corrente viene interrotta, il modulo avrà memorizzato l'impostazione prima dell'interruzione. (acceso/spento) L'AW12 fa uso della comunicazione ad una via X10.

## **Installazione.**

Per il collegamento del modulo AW12, occorre un filo neutro (blu) + un filo di fase a 230V (marrone), nel punto in cui s'intende realizzare l'attacco del modulo.

- Attenzione! Prima di incominciare ad eseguire il montaggio, disattivare la tensione.
- Estrarre l'interruttore dal suo alloggiamento a muro.
- Scollegare i fili dell'interruttore.
- Tirare un filo neutro, se questo manca.
- Fissare il filo di fase, il filo neutro e quello di commutazione sui punti di collegamento del modulo incorporato AW12, come illustrato in figura A.
- Realizzare il collegamento tra il filo nero sottile del modulo incorporato e l'interruttore
- Collegare il filo di fase all'interruttore.
- Sistemare il modulo, appoggiandolo al lato posteriore dell'alloggiamento a muro e rimettere l'interruttore al suo posto, nell'alloggiamento.
- Attivare la tensione, prima di avviare la programmazione.

### Programmazione dell'indirizzo e delle funzioni opzionali.

Per modificare l'indirizzo e l'impostazione delle funzioni All Lights On/All Lights Off/All Units Off, il modulo deve essere portato in modalità programmazione.

Quando esce dalla fabbrica, il modulo AW12 è impostato sull'indirizzo A1 e non risponde alle funzioni opzionali All Lights On/All Lights Off/All Units Off.

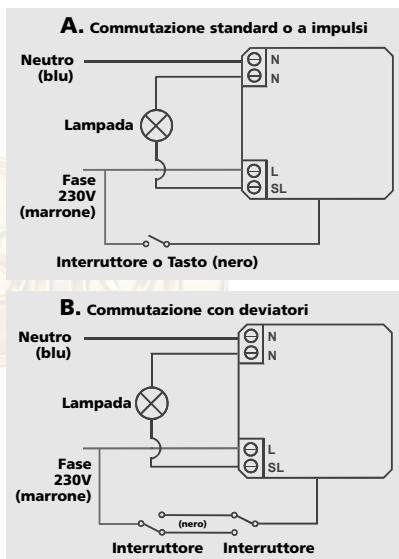
A differenza della maggior parte dei moduli Marmitek X-10, il AW12 non ha le rotelline per il codice.

L'attivazione della modalità programmazione può avvenire in 2 modi.

1. Trasmettendo comandi On / Off dell'indirizzo impostato in rapida successione (ad es. se l'indirizzo è B2: B2 ON, B2 OFF, B2 ON ecc.) Dopo che AW12 ha cambiato stato 5 volte, con un intervallo tra i cambiamenti non superiore a 1,5 secondi, esso non risponderà più e ciò significa che il modulo ora è nella modalità programmazione.

2. Premendo rapidamente l'interruttore a contatto momentaneo collegato al modulo. Dopo che AW12 ha cambiato stato 5 volte, con un intervallo tra i cambiamenti non superiore a 2 secondi, esso non risponderà più e ciò significa che il modulo ora è nella modalità programmazione.

Nella modalità programmazione, il nuovo indirizzo viene configurato inviando due volte un comando Indirizzo On (ad es. B2 ON) o Indirizzo Off. Per tale scopo si usa un Controller Marmitek X10 (ad esempio un telecomando Marmitek in combinazione con un modulo ricevitore TM13). Per cambiare di nuovo l'indirizzo, inviare due volte il comando desiderato.





Per configurare l'unità in modo che risponda ai comandi All Lights On e/o All Lights Off e/o All Units Off, basta inviare due volte il comando in questione subito dopo aver programmato il nuovo indirizzo.

OSSERVAZIONE: L'impostazione delle funzioni All Lights On/All Lights Off/All Units Off viene disabilitata non appena viene assegnato un nuovo indirizzo al modulo o quando vengono ripristinate le impostazioni di fabbrica del modulo.

### **Ripristino delle impostazioni di fabbrica dell'AW12.**

Quando esce dalla fabbrica, il modulo AW12 è impostato sull'indirizzo A1 e non risponde alle funzioni opzionali All Lights On/All Lights Off/All Units Off. Se l'indirizzo e l'impostazione delle opzioni All Lights On/All Lights Off/All Units Off non fossero noti, il modulo AW12 potrà essere riportato alle impostazioni di fabbrica collegando l'unità alla linea elettrica ed inviando due volte l'indirizzo P16. Si può inviare sia l'indirizzo P16 che l'indirizzo abbinato ad un comando, come P16 On oppure P16 Off. I comandi vanno mandati entro 30 secondi dal momento in cui l'unità viene connessa all'alimentazione. Una volta che sono stati ripristinati i valori di default del modulo, l'impostazione delle funzioni opzionali All Lights On/All Lights Off/All Units Off viene automaticamente cancellata.

### **Uscita dalla modalità programmazione.**

**Automaticamente:** attendere 1 minuto. In questo caso la modalità programmazione viene automaticamente cancellata.

**Manualmente:** l'uscita dalla modalità programmazione può essere attuata inviando in rapida successione i comandi Indirizzo On e Indirizzo Off, o premendo/commutando velocemente l'interruttore a contatto momentaneo. Dopo aver premuto 5 volte l'interruttore o aver inviato 5 volte i comandi On/Off, con un intervallo non superiore a 0,5 secondo tra ogni pressione, il modulo AW12 risponderà ai comandi e ciò significa che è uscito dalla modalità programmazione.

### **Dettagli sul tipo di interruttore.**

Se si utilizza l'interruttore a contatto momentaneo, lo stato del modulo AW12 cambierà quando il tasto viene premuto per meno di 2 secondi. Quando l'interruttore a contatto momentaneo viene premuto più a lungo, il modulo AW12 varierà la luminosità (funzione dimmer). Il modulo attenuerà prima la luminosità e poi la aumenterà.

### **Domande frequenti.**

#### **Perché alcuni moduli si accendono o si spengono spontaneamente?**

È possibile che il Sistema Marmitek X-10 installato sia influenzato da un altro Sistema X-10 presente nelle vicinanze. Dal momento che i segnali Marmitek X-10 sono inviati lungo la rete d'illuminazione, è possibile che essi facciano ingresso nell'edificio, o che ne escano. Questo problema può essere risolto selezionando un altro Codice Domestico (A .. P). Si possono anche collocare dei Filtri Accoppiatori di Fase FD10, per bloccare segnali in ingresso e in uscita.

### **I miei moduli non reagiscono al mio controller.**

Assicurarsi che tutti i componenti utilizzati siano impostati sullo stesso Codice Domestico (codice in lettere A..P).

### **I miei moduli non reagiscono al telecomando o al sensore.**

In caso di utilizzo di telecomandi o di sensori, occorre far uso di un modulo Transceiver TM13, o della centralina di un Sistema di Allarme Marmitek. Questi elementi commutano i segnali dei telecomandi e dei sensori, in base al protocollo della rete d'illuminazione Marmitek X-10. Anche nel caso di più di un telecomando o di un sensore, basta avere un'unica centralina.

### **Posso aumentare la portata del mio telecomando usando più di un Transceiver?**

Sì. È possibile utilizzare più di un Transceiver TM13 all'interno di un'abitazione, nel caso in cui i telecomandi non siano adeguati alle funzioni desiderate. I TM13 sono provvisti della cosiddetta "collision detection", ideata per evitare che i segnali siano disturbati, quando entrambe le unità TM13 inviano nello stesso momento dei segnali, lungo la rete d'illuminazione. Per non rallentare senza necessità il proprio Sistema Marmitek X-10 e per evitare effetti simili a urti e stratonni in caso di smorzamento, è indispensabile collocare le unità TM13, nell'abitazione, il più lontano possibile l'una dall'altra.

### **Diagnostica.**

- La lampada funziona se viene collegata direttamente alla corrente?
- Il modulo è collegato ad una protezione contro la sovratensione? Una tale protezione può bloccare i segnali dell'interfaccia X-10 o del Controller X-10.
- L'HouseCode utilizza lo stesso codice di lettere usato dal resto del sistema X-10?

**Per quesiti a cui non trovate risposta qui sopra, vi invitiamo a visitare [www.marmitek.com](http://www.marmitek.com).**

### **CARATTERISTICHE TECNICHE**

Tensione di alimentazione:	230V - 50 Hz
Corrente assorbita:	< 20 mA capacitativi
Capacità di carico:	3600 W/230V per carico Ohmico 600 W/230V per carico induttivo / capacitativo 2000 W/230V per lampade ad incandescenza e alogene a bassa tensione con trasformatore.
Carico minimo:	3W
Sensibilità del segnale:	15 mVpp min, 50mVpp max a 120 kHz
Impedenza d'ingresso:	> 180 Ohm
Connessioni:	filì per connessione interruttori o interruttori a contatto momentaneo e morsetti per Fase, Neutro e Fase commutata.
Temperatura ambiente:	da - 10° C a + 40°C (in funzione) da - 20° C a + 70° (in magazzino)
Dimensioni:	46x46x17mm



### Informazioni relative all'ambiente per i clienti residenti nell'Unione Europea

La direttiva europea 2002/96/EC richiede che le apparecchiature contrassegnate con questo simbolo sul prodotto e/o sull'imballaggio non siano smaltite insieme ai rifiuti urbani non differenziati. Il simbolo indica che questo prodotto non deve essere smaltito insieme ai normali rifiuti urbani domestici. È responsabilità del proprietario smaltire sia questi prodotti sia le altre apparecchiature elettriche ed elettroniche mediante le specifiche strutture di raccolta indicate dal governo o dagli enti pubblici locali. Il corretto smaltimento ed il riciclaggio aiuteranno a prevenire conseguenze potenzialmente negative per l'ambiente e per la salute dell'essere umano. Per ricevere informazioni più dettagliate circa lo smaltimento delle vecchie apparecchiature in Vostro possesso, Vi invitiamo a contattare gli enti pubblici di competenza, il servizio di smaltimento rifiuti urbani o il negozio nel quale avete acquistato il prodotto.



# INSTALLATIE HANDLEIDING VOOR MARMITEK X-10 INBOUW APPARAAT MODULE AW12

## VEILIGHEIDSWAARSCHUWINGEN

- Op de bedrading van uw elektrische installatie staat levensgevaarlijke 230V netspanning. Sluit de module nooit onder spanning aan. Schakel de hoofdschakelaar uit voordat u met de installatie begint.
- Dit product is bestemd voor professioneel gebruik. Installatie dient te geschieden door een erkende installateur.
- Om kortsluiting te voorkomen, dient dit product uitsluitend binnenshuis gebruikt te worden, en alleen in droge ruimten. Stel de componenten niet bloot aan regen of vocht. Niet naast of vlakbij een bad, zwembad, etc. gebruiken.
- Stel de componenten van uw systeem niet bloot aan extreem hoge temperaturen of sterke lichtbronnen.
- Het product nooit openmaken: de apparatuur bevat onderdelen waarop levensgevaarlijke spanning staat. Laat reparatie of service alleen over aan deskundig personeel.
- Bij oneigenlijk gebruik, zelf aangebrachte veranderingen of reparaties, komen alle garantiebepalingen te vervallen. Marmitek aanvaardt geen productaansprakelijkheid bij onjuist gebruik van het product of door gebruik anders dan waarvoor het product is bestemd. Marmitek aanvaardt geen aansprakelijkheid voor volgschade anders dan de wettelijke productaansprakelijkheid.
- Behalve gemak kan automatisch schakelen ook gevaar met zich meebrengen. Zo kunnen anderen verrast worden, of kan kleding welke over een elektrische warmtebron hangt in brand raken. Wees hier altijd op bedacht en neem afdoende maatregelen ter voorkoming.

## Hoe werkt Marmitek X-10?

De componenten uit het Marmitek X-10 programma communiceren met elkaar via het bestaande lichtnet (door middel van Marmitek X-10 signalen). Het programma bestaat uit drie soorten onderdelen:

- |                        |  |
|------------------------|--|
| <b>1. Modules:</b>     | Deze ontvangen de Marmitek X-10 signalen en schakelen of dimmen de aangesloten belasting.  |
| <b>2. Controllers:</b> | Deze zenden de Marmitek X-10 signalen en besturen dus de Modules.  |
| <b>3. Zenders:</b>     | Dit zijn draadloze onderdelen zoals afstandsbedieningen. De signalen van deze worden ontvangen door een controller met Transceiver functie (IRRF 7243, TM13 of Centrale van een Marmitek Beveiligingssysteem). De signalen worden door de Transceiver op het lichtnet gezet. |

## Adressering.

Door middel van twee codewieltjes op de modules kunnen tot maximaal 256 verschillende adressen worden ingesteld. Deze zijn onderverdeeld in een z.g. HuisCode (A t/m P) en UnitCode (1 t/m 16). De HuisCode is ook instelbaar op de Controllers zodat Controllers en Modules tot hetzelfde systeem gaan behoren.

Het Marmitek X-10 Systeem bevat standaard commando's waarbij alle units binnen dezelfde HuisCode tegelijkertijd worden aangestuurd (b.v. alle verlichting aan, alles uit, etc.).

## Bereik van signalen.

### **Bereik van Marmitek X-10 signalen over het lichtnet en dit bereik vergroten.**

Het Marmitek X-10 Systeem is gebaseerd op communicatie via het bestaande lichtnet. Het bereik van de signalen over het lichtnet is erg afhankelijk van de plaatselijke situatie. Een aardig gemiddelde van het bereik is echter een kabellengte van 80 meter.

### **Bij problemen met het bereik van Marmitek X-10 signalen zijn de volgende factoren van belang:**

1. Wanneer er meerdere fasen in huis worden gebruikt, kan het nodig zijn om deze fasen te koppelen voor Marmitek X-10 signalen. Dit koppelen kunt u doen door het gebruik van FD10 Fase Koppelfilters en is nodig als wandcontactdozen en verlichtingspunten daadwerkelijk verdeeld zijn over meerdere fasen (meerdere groepen is geen enkel probleem voor het Marmitek X-10 signaal). Voor grotere panden adviseren wij het gebruik van een actieve 3 fasen repeater in plaats van Fase Koppelfilters.

2. Marmitek X-10 signalen kunnen worden gedempt door apparatuur en verlichting welke op het lichtnet is aangesloten. In normale huisinstallaties is dit effect normaal gesproken verwaarloosbaar (het Marmitek X-10 Systeem maakt onder andere gebruik van actieve versterking om dit effect te elimineren). Toch kunt u het soms treffen dat één apparaat in uw woning roet in het eten gooit. Mocht u merken dat signalen niet altijd goed doorkomen dan kunt u zo'n apparaat relatief eenvoudig opsporen door de stekkers van verdachte apparatuur uit het stopcontact te halen en opnieuw te testen. Merkt u dat uw bereik probleem verholpen wordt door b.v. de stekker van uw PC monitor uit het stopcontact te halen, dan kunt u het probleem oplossen door deze PC monitor te voorzien van een FM10 Plug-in Filter. Dit Plug-in Filter zorgt er dan voor dat de signalen niet langer worden gedempt door het betreffende apparaat.

### **Apparatuur die hierbij de moeite waard is om te controleren:**

PC monitoren

PC's met relatief zware voedingen

Oude televisies

Kopieerapparaten

Ook een ruimte met veel TL verlichting kan voor storing zorgen.

Gasontladinglampen met elektronisch voorschakelapparaat

3. Sommige (oude) apparaten kunnen stoorsignalen het lichtnet opsturen, waardoor de Marmitek X-10 communicatie verstoord wordt. Het gaat dan om apparatuur welke stoort op een frequentie van 120 kHz. Deze 120 kHz wordt door het Marmitek X-10 Systeem gebruikt als zendfrequentie om digitale informatie te verzenden over het lichtnet. Apparatuur die dit soort signalen uitzendt kunnen voorzien worden van een FM10 Plug-in Filter. Hierdoor zullen stoorsignalen niet langer het lichtnet bereiken.

4. Door de opbouw van het signaal kunnen andere (stoor)bronnen de modules uit het Marmitek X-10 Systeem nooit activeren of deactiveren. Wel kan het signaal worden gedempt door b.v. babyfoons welke continue in de 'TALK' mode staan. Door aanwezigheid van dit soort signalen is het mogelijk dat het Marmitek X-10 signaal niet doorkomt.

5. Het lichtnet in uw woning houdt niet op bij de voordeur. Alles wat buiten (dicht bij) uw woning op het lichtnet is aangesloten kan van invloed zijn op Marmitek X-10 signalen. Met name als uw woning b.v. grenst aan een fabriekshal met zware machines is het nuttig om de binnenkomende fases te voorzien van FD10 Fase Koppelfilters. Deze filters vormen als het ware een blokkade voor alle signalen die uw woning in of uit willen, maar zorgen ook voor een perfecte 'impedantie aanpassing' van het lichtnet in uw woning. U maakt uw woning als het ware Marmitek X-10 geschikt door het plaatsen van deze units. Daarbij koppelen ze ook meteen de fases (zie punt 1 hierboven).

## **INTRODUCTIE.**

Gefeliciteerd met de aankoop van de Marmitek X-10 inbouw apparaat module AW12.

- Door de extreem kleine afmetingen kan de module ingebouwd worden achter inbouwschakelaars en wandcontactdozen (minimale diepte van de inbouwdoos: 40mm, advies 50mm). De module is ook ideaal voor inbouw in lichtarmaturen en voor plaatsing in kleine ruimtes zoals bijvoorbeeld verlaagde plafonds.
- Universeel toepasbaar: volledige keuzevrijheid in het merk, kleur en model schakelmateriaal. Met het ingebouwde relais kunt u gloeilampen, lage spanning halogeenverlichting met transformator en apparaten schakelen.

Deze module kan bestuurd worden door op de module aangesloten schakelaars of pulsdrukschakelaars of op afstand gebruik makend van het Marmitek X-10 (PLC) signaal via het lichtnet. De module reageert op de volgende Marmitek X-10 PLC commando's: ON, Off en de optionele Marmitek X-10 commando's All Lights On/All Lights Off/All Units Off wanneer deze geprogrammeerd zijn. Op de module kunnen zowel normale schakelaars (maak/verbreek) als pulsdrukschakelaars worden aangesloten. De ingang van de schakelaar wordt aangesloten op de fase (bruine draad, 230V), de uitgang van de schakelaar wordt verbonden met de dunne zwarte draad (ingang) van de AW12 module. Dit is afgebeeld in figuur A. U kunt de AW12 ook gebruiken in een wisselschakeling (ook wel hotelschakeling genoemd). Zie hiervoor figuur B.

Bij spannings onderbreking zal de module de stand voor de onderbreking onthouden. (aan/uit) De AW12 maakt gebruik van 1-weg X10 communicatie.

## Installatie.

Voor het aansluiten van de AW12 heeft u een nul draad (blauw) + fase draad 230V (bruin) nodig op de plaats waar u de module gaat aansluiten.

- Let op! Eerst de spanning uitschakelen voordat u met de montage begint.
- Neem de eventueel aanwezige schakelaar uit de inbouwdoos.
- Maak de bedrading van de schakelaar los.
- Trek een nuldraad bij indien deze ontbreekt.
- Bevestig de fase-, nul- en schakeldraad op de aansluitpunten van de inbouwmodule AW12, zoals weergegeven in figuur A.
- Bevestig de dunne zwarte draad van de inbouwmodule aan de schakelaar.
- Bevestig de fasedraad aan de schakelaar.
- Plaats de module tegen de achterzijde van de inbouwdoos en plaats de schakelaar terug in de inbouwdoos.
- Schakel de spanning in voordat u gaat programmeren.

## Programmeren van het adres en de optionele functies All Lights On/All Lights Off/All Units Off.

Fabrieksmatig is de AW12 ingesteld op het adres A1 en reageert niet op de optionele functies All Lights On/All Lights Off/All Units Off.

In tegenstelling tot de meeste Marmitek X-10 Modules heeft de AW12 geen codewieltjes.

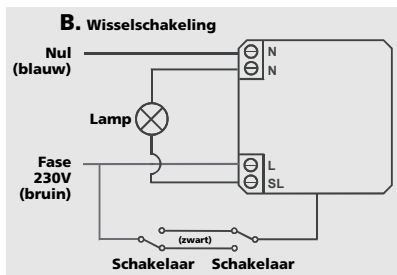
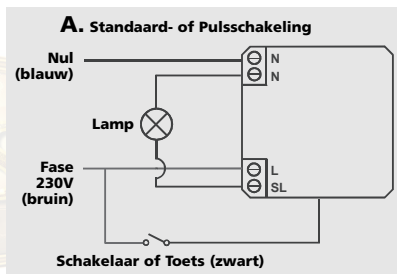
Om het adres en de instelling van de All Lights On/All Lights Off/All Units Off functies te wijzigen, zal de module in de programmeerstand gebracht moeten worden.

Activeren van de programmeerstand kan op 2 manieren:

1. Door het snel achter elkaar zenden van On / Off commando's van het ingestelde adres (b.v. bij ingesteld adres B2: B2 ON, B2 OFF, B2 ON, etc.)

Nadat het relais 5 maal van status gewisseld is, met niet meer dan 1,5 seconden tussen de wisselingen, zal het relais niet meer reageren wat aangeeft dat de module in de programmeerstand gebracht is.

2. Door het snel indrukken/omzetten van de pulsdruk- of wipschakelaar waarmee de module verbonden is. Nadat het relais 5 maal van status gewisseld is, met niet meer dan 1, 5 seconden tussen de wisselingen, zal het relais niet meer reageren wat aangeeft dat de module in de programmeerstand gebracht is



In de programmeerstand wordt het nieuwe adres ingegeven door tweemaal een Address On (bijvoorbeeld B2 AAN) of Address Off commando te verzenden. U gebruikt hiervoor een een Marmitek X-10 controller (bijvoorbeeld een Marmitek X-10 afstandsbediening in combinatie met een Marmitek X-10 transceiver). Wilt u het adres opnieuw veranderen, dan stuurt u gewoon tweemaal het nieuwe address on of address off commando. Om de module te programmeren voor de All Lights On en/of All Lights Off en/of All Units Off functies, dient u het betreffende commando tweemaal te verzenden direct nadat de nieuwe adressering geprogrammeerd is.

**OPMERKING:** De instelling van de All Lights On/All Lights Off/All Units Off functies vervalt zodra een nieuw adres aan de module wordt toegekend, of wanneer de module gereset wordt naar de fabrieksinstelling (zie hieronder).

### **De AW12 terug in de fabrieksinstelling zetten.**

Fabrieksmatig is de AW12 ingesteld op het adres A1 en reageert niet op de optionele functies All Lights On/All Lights Off/All Units Off.

Wanneer het adres en de instelling van de All Lights On/All Lights Off/All Units Off functie onbekend zijn, kan de AW12 module gereset worden naar de fabrieksinstelling door de module van spanning te voorzien en twee maal het adres P16 naar de module te zenden. Dit kan zowel het adres P16 zijn, als het adres in combinatie met een commando zoals P16 On of P16 Off. De commando's moeten verzonden worden binnen 30 seconden nadat de module van spanning is voorzien. Wanneer de module teruggezet wordt naar de fabrieksinstelling, vervalt automatisch de instelling van de optionele All Lights On/All Lights Off/All Units Off functies.

### **Opheffen van de programmeerstand.**

**Automatisch:** Wacht 1 minuut. De programmeerstand wordt dan automatisch opgeheven.

**Handmatig:** Opheffen van de programmeerstand kan zowel door het snel achter elkaar zenden van Address On en Address Off commando's, als het snel indrukken/omzetten van de pulsdruk- of wipschakelaar. Na 5 maal drukken op de schakelaar of na 5 maal verzenden van On/Off commando's, met niet meer dan 1,5 seconden tussen de drukpogingen, zal het relais gaan reageren wat aangeeft dat de programmeerstand opgeheven is.

### **Detailinformatie over het schakelkarakter.**

Bij gebruik van pulsdrukschakelaars zal de status van het relais wijzigen wanneer de toets korter ingedrukt wordt dan 1,5 seconden. Bij gebruik van standaard schakelaars (maak/verbreek) wordt ervan uit gegaan dat de (wip)schakelaar minimaal 1,5 seconden omgezet wordt. In dit geval zal de status van het relais steeds wijzigen wanneer de (wip)schakelaar omgezet wordt. Deze manier van reageren biedt de mogelijkheid de module te gebruiken in hotelschakelingen/wissel-schakelingen, waarbij twee schakelaars in serie worden geplaatst.



## **FAQ.**

### **Hoe komt het dat sommige Modules spontaan aan- of uitgaan?**

Het kan zijn dat het geïnstalleerde Marmitek X-10 Systeem beïnvloed wordt door een ander X-10 Systeem in de buurt. Aangezien de Marmitek X-10 signalen over het lichtnet worden verstuurd is het mogelijk dat de signalen het pand inkomen of verlaten. Dit probleem kan verholpen worden door het kiezen van een andere HuisCode (A .. P). Ook kunnen FD10 Fase Koppelfilters geplaatst worden om in- en uitgaande signalen te blokkeren.

### **Mijn modules reageren niet op mijn controller.**

Zorg ervoor dat alle gebruikte componenten ingesteld zijn op de zelfde Huiscode (lettercode A..P).

### **Mijn modules reageren niet op mijn afstandsbediening of sensor.**

Bij het gebruik van afstandsbedieningen of sensoren dient u gebruik te maken van een TM13 Transceivermodule of een centrale van een Marmitek Alarmsysteem. Deze zetten de signalen van de afstandsbedieningen en sensoren om naar het Marmitek X-10 lichtnetprotocol. Ook bij meerdere afstandsbedieningen en sensoren is maar één centrale ontvanger nodig.

### **Kan ik het bereik van mijn afstandsbediening vergroten door de inzet van meer Transceivers?**

Ja. U kunt meerdere TM13 Transceivers in uw woning gebruiken als het bereik van uw afstandsbedieningen niet toereikend is. De TM13's zijn voorzien van zgn. collision detection om te voorkomen dat de signalen verstoord worden wanneer beide TM13 units gelijktijdig gaan zenden op het lichtnet. Om uw Marmitek X-10 niet onnodig traag te maken en om het horten en stoten bij dimmen te voorkomen moet u er voor zorgen dat de TM13 units zo ver mogelijk van elkaar in de woning worden geplaatst.

### **Oplossen van problemen**

- Controleer of de schakelaar van de lamp of het apparaat ingeschakeld is.
- Werkt de lamp of het apparaat wel als u deze rechtstreeks op de spanning aansluit?
- Is de module verbonden via een overspanningsbeveiliging? Een overspanningsbeveiliging kan de signalen van de X-10 interface of X-10 controller tegenhouden.
- Staat de House Code op dezelfde lettercode als de rest van het X-10 systeem?

### **Heeft u vragen die hierboven niet beantwoord worden?**

Kijk dan op [www.marmitek.com](http://www.marmitek.com).

## Technische gegevens

Voedingsspanning:	230V - 50 Hz
Stroomverbruik:	< 20 mA capacitef
Schakelvermogen:	3600 W/230V voor ohmse belasting 600 W/230V voor inductieve / capacitieve belasting 2000 W/230V voor gloeilampen en laagspanning halogeenverlichting met transformator.
Minimale belasting:	3W
Signaalgevoeligheid:	15 mVpp min, 50mVpp max bij 120 kHz
Input impedantie:	> 180 Ohm (P-N) bij 120 kHz
Aansluitingen:	Draad voor normale drukschakelaar of pulsdruk schakelaar en aansluitklemmen voor Fase, Neutraal en geschakelde fase.
Omgevingstemperatuur:	- 10° C tot + 40°C (bedrijf) - 20° C tot + 70° C (opslag)
Afmetingen:	46x46x17mm



### Milieu-informatie voor klanten in de Europese Unie

De Europese Richtlijn 2002/96/EC schrijft voor dat apparatuur die is voorzien van dit symbool op het product of de verpakking, niet mag worden ingezameld met niet-gescheiden huishoudelijk afval. Dit symbool geeft aan dat het product apart moet worden ingezameld. U bent zelf verantwoordelijk voor de vernietiging van deze en andere elektrische en elektronische apparatuur via de daarvoor door de landelijke of plaatselijke overheid aangewezen inzamelingskanalen. De juiste vernietiging en recycling van deze apparatuur voorkomt mogelijke negatieve gevolgen voor het milieu en de gezondheid. Voor meer informatie over het vernietigen van uw oude apparatuur neemt u contact op met de plaatselijke autoriteiten of afvalverwerkingsdienst, of met de winkel waar u het product hebt aangeschaft.

# DECLARATION OF CONFORMITY

Hereby, Marmitek BV, declares that this AW12 is in compliance with the essential requirements and other relevant provisions of the following Directives:

Council Directive 89/336/EEC of 3 May 1989 on the approximation of the laws of the Member States relating to electromagnetic compatibility

Council Directive 73/23/EEC of 19 February 1973 on the harmonization of the laws of Member States relating to electrical equipment designed for use within certain voltage limits

Hiermit erklärt Marmitek BV die Übereinstimmung des Gerätes AW12 den grundlegenden Anforderungen und den anderen relevanten Festlegungen der Richtlinien:

Richtlinie 89/336/EWG des Rates vom 3. Mai 1989 zur Angleichung der Rechtsvorschriften der Mitgliedstaaten über die elektromagnetische Verträglichkeit

Richtlinie 73/23/EWG des Rates vom 19. Februar 1973 zur Angleichung der Rechtsvorschriften der Mitgliedstaaten betreffend elektrische Betriebsmittel zur Verwendung innerhalb bestimmter Spannungsgrenzen

Par la présente Marmitek BV déclare que l'appareil AW12 est conforme aux exigences essentielles et aux autres dispositions pertinentes de la directives:

Directive 89/336/CEE du Conseil du 3 mai 1989 concernant le rapprochement des législations des États membres relatives à la compatibilité électromagnétique

Directive 73/23/CEE du Conseil, du 19 février 1973, concernant le rapprochement des législations des États membres relatives au matériel électrique destiné à être employé dans certaines limites de tension

MARMITEK BV - PO. BOX 4257 - 5604 EG EINDHOVEN - NETHERLANDS



## Copyrights

Marmitek is a trademark of Marmidenko BV | AW12 is a trademark of Marmitek BV. All rights reserved.

Copyright and all other proprietary rights in the content (including but not limited to model numbers, software, audio, video, text and photographs) rests with Marmitek B.V. Any use of the Content, but without limitation, distribution, reproduction, modification, display or transmission without the prior written consent of Marmitek is strictly prohibited. All copyright and other proprietary notices shall be retained on all reproductions.

# DECLARATION OF CONFORMITY

Marmitek BV declara que este AW12 cumple con las exigencias esenciales y con las demás reglas relevantes de la directriz:

Directiva 89/336/CEE del Consejo de 3 de mayo de 1989 sobre la aproximación de las legislaciones de los Estados Miembros relativas a la compatibilidad electromagnética

Directiva 73/23/CEE del Consejo, de 19 de febrero de 1973, relativa a la aproximación de las legislaciones de los Estados Miembros sobre el material eléctrico destinado a utilizarse con determinados límites de tensión

Con ciò, Marmitek BV, dichiara che il AW12 è conforme ai requisiti essenziali ed altre disposizioni relative alla Direttiva :

Direttiva 89/336/CEE del Consiglio del 3 maggio 1989 per il ravvicinamento delle legislazioni degli Stati Membri relative alla compatibilità elettromagnetica

Direttiva 73/23/CEE del Consiglio, del 19 febbraio 1973, concernente il ravvicinamento delle legislazioni degli Stati Membri relative al materiale elettrico destinato ad essere adoperato entro taluni limiti di tensione

Bij deze verklaart Marmitek BV, dat deze AW12 voldoet aan de essentiële eisen en aan de overige relevante bepalingen van Richtlijnen:

Richtlijn 89/336/EEG van de Raad van 3 mei 1989 betreffende de onderlinge aanpassing van de wetgevingen van de Lid-Staten inzake elektromagnetische compatibiliteit

Richtlijn 73/23/EEG van de Raad van 19 februari 1973 betreffende de onderlinge aanpassing van de wettelijke voorschriften der Lid-Staten inzake elektrisch materiaal bestemd voor gebruik binnen bepaalde spanningsgrenzen

MARMITEK BV - PO. BOX 4257 - 5604 EG EINDHOVEN - NETHERLANDS



  
**MARMITEK**  
[www.marmitek.com](http://www.marmitek.com)